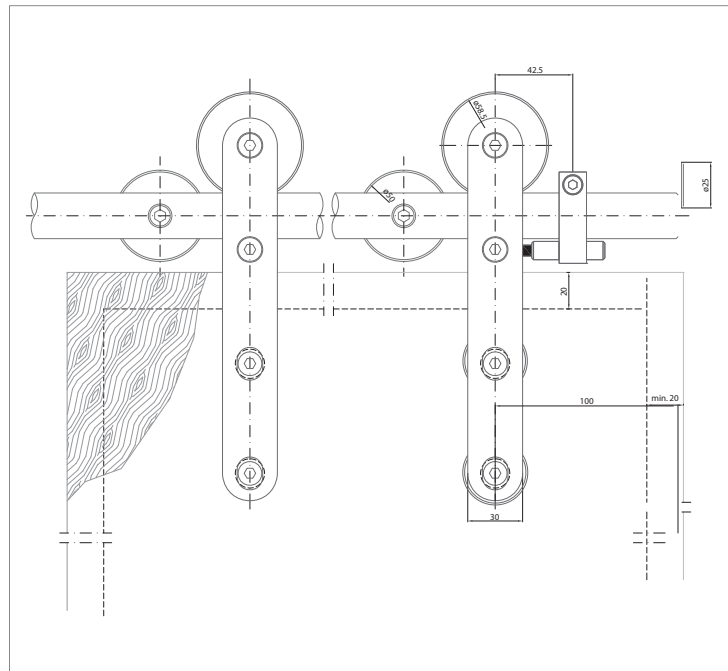
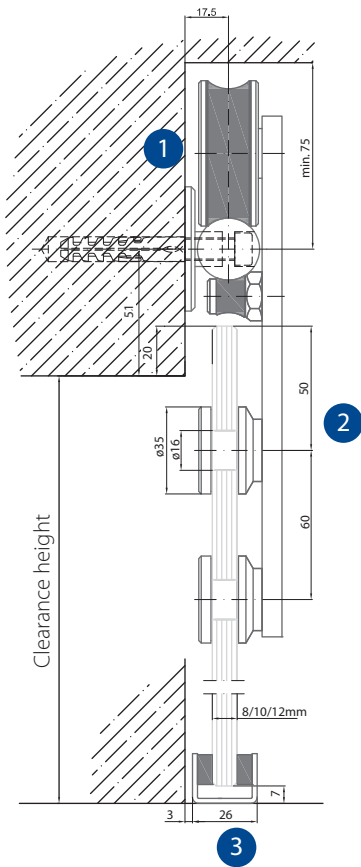




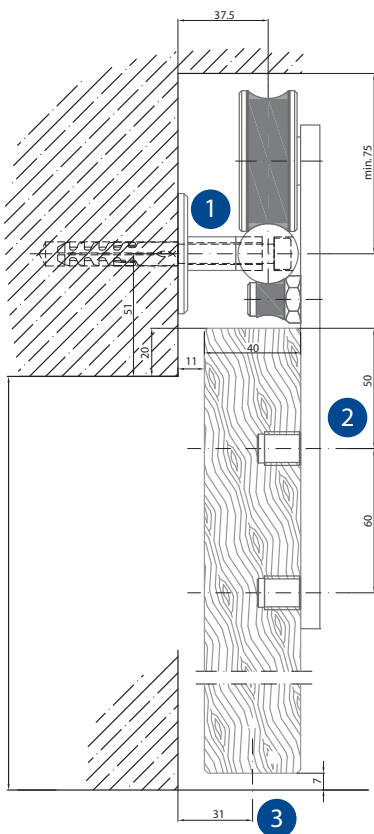
ELEGANCE MEETS TECHNOLOGY
AEROLAN SLIDING DOOR SET

for wood and glass

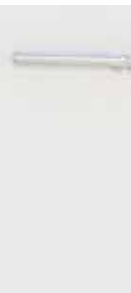
GEZE sliding door set for wooden and glass doors



- 1 The special sleeve technology of the **GEZE AEROLAN** enables three different wall distances of the rail and thus a wide range of door variations.
- 2 The roller wagon can be used for both wooden and glass doors.
- 3 The supplied floor guide can be adjusted using different felt inserts to suit 8, 10 and 12 mm glass.



Floor guides for wooden doors are not included in the set!



GEZE AEROLAN

Sliding door set

The content makes the difference



When it comes to sliding doors, GEZE has an entire century of experience to rely on. Whether it be wooden or glass, frame or skirting boards, this set will always fit. In a practical package – the size of half a EURO pallet – you will find everything the installer will need on site, including the rail.

The rail profile is made up of solid stainless steel bars with a diameter of 25 mm slotted together and secured by grub screws. The fine-tuning process means that all of the interfaces are hidden and the roller wagon runs quietly and gently.

Wall fixtures with various different stainless steel sleeves enable different distances to the wall. This allows you to react flexibly to frames and skirting boards as well as door leaf thickness of up to 40 mm for both wooden and glass doors. The supplied stainless steel screws and matching rawlplugs ensure a secure hold to the wall.

The eccentric screw adjustable lift protection on the roller wagon and the felt inserts in the floor guides ensure secure and convenient running of the sliding leaf. Lengthwise holes in the roller wagon loops provide the necessary adjustment options on site.

Exemplary accessories
from the GEZE sliding door range:



GEZE handle rod pair



GEZE handle recess

GEZE AEROLAN

Sliding door set

Contents:

- ▶ Slotting rail profile made of solid stainless steel (D= 25 mm)
- ▶ Wall fixtures are available for three different wall distances.
- ▶ Fixing materials (screw and rawlplugs)
- ▶ Hexagonal key set
- ▶ 2 roller wagons with adjustable lift securing
- ▶ 2 stoppers
- ▶ Floor guide with felt insert (for 8, 10 and 12 mm glass)
- ▶ Order form for glass and door handle or handle recess

Required tools

Spirit level, tape measure / zigzag folding rule, drill, masonry drill bits D= 8mm / D= 10mm, cross-headed screwdriver, glass block

When installing wooden doors, you will also need:

RAMPA sleeves with M8 internal thread, floor guide for wooden sliding doors (GEZE-ID 002191)

Order number

ID number 119408

Sliding door set for leaf widths
from 750 - 950 mm

ID number 131789

Sliding door set for leaf widths
from 950 - 1250 mm

ID number 002191

Floor guide for wooden sliding doors

GEZE GmbH

Reinhold-Vöster-Straße 21-29

71229 Leonberg

Deutschland

Telefon: +49 (0) 7152-203-0

Telefax: +49 (0) 7152-203-310

Email: vertrieb.services.de@geze.com

www.geze.com