

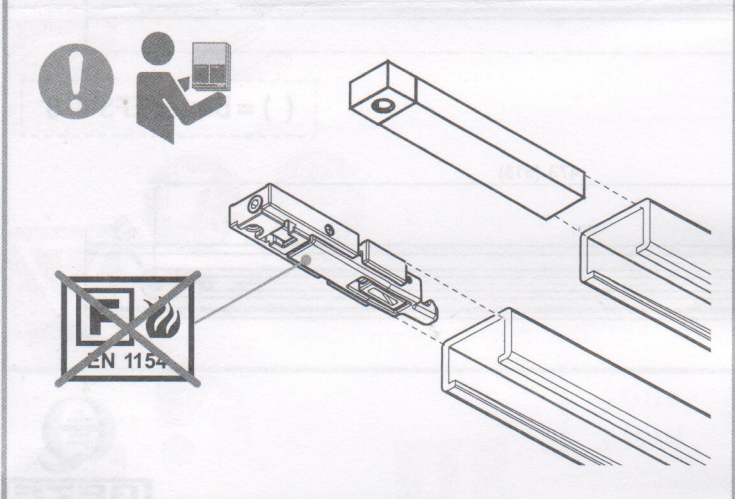
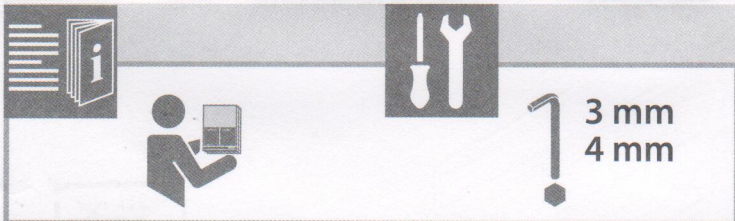
Gleitschiene 12 mm
Guide rail 12 mm
Coulisse 12 mm

BOXER

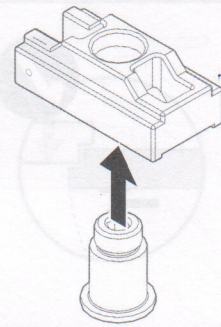
129361-03



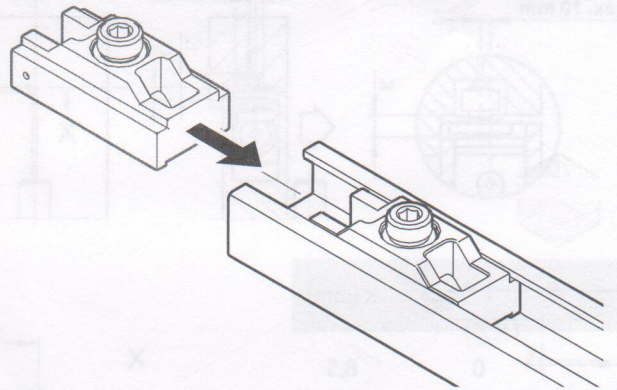
GEZE



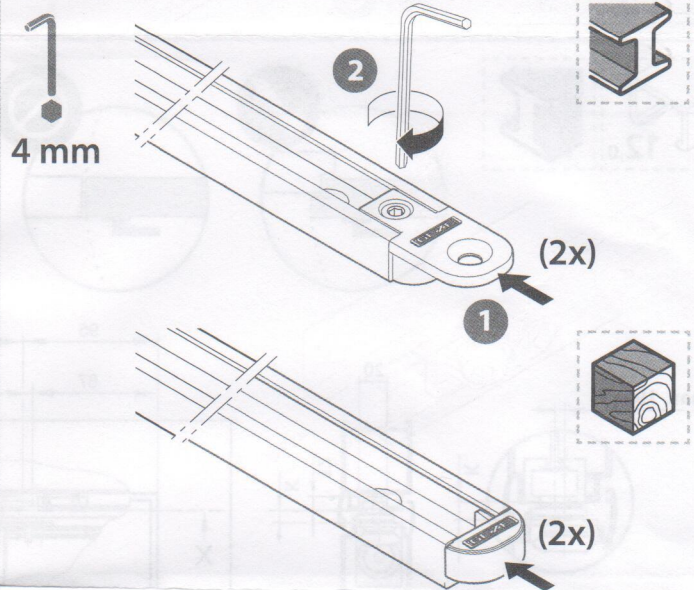
1



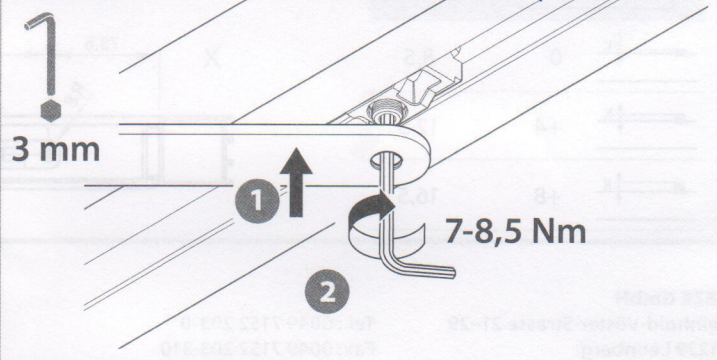
2

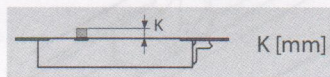
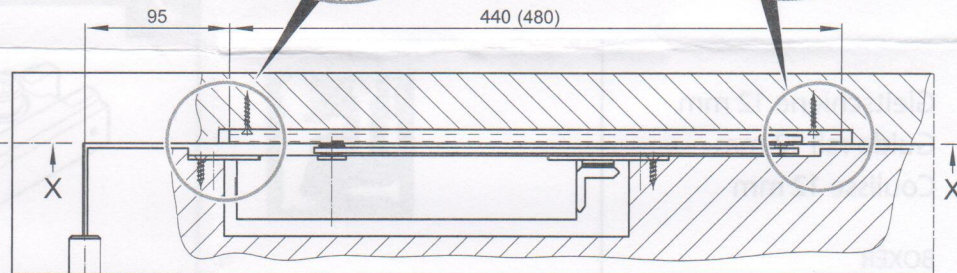
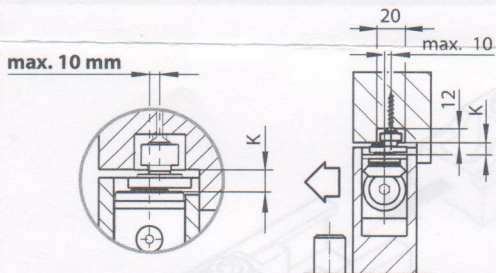
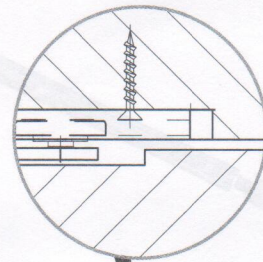
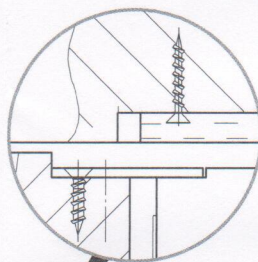
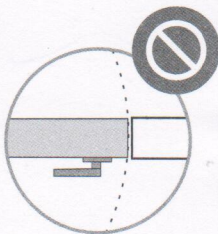
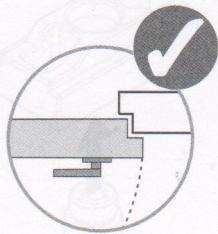
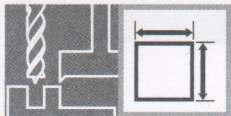


3

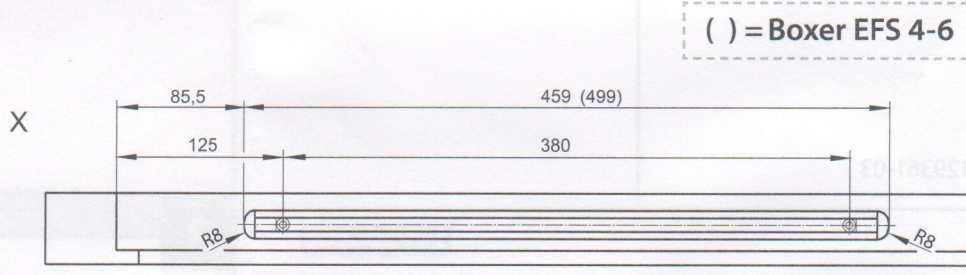


4

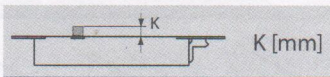
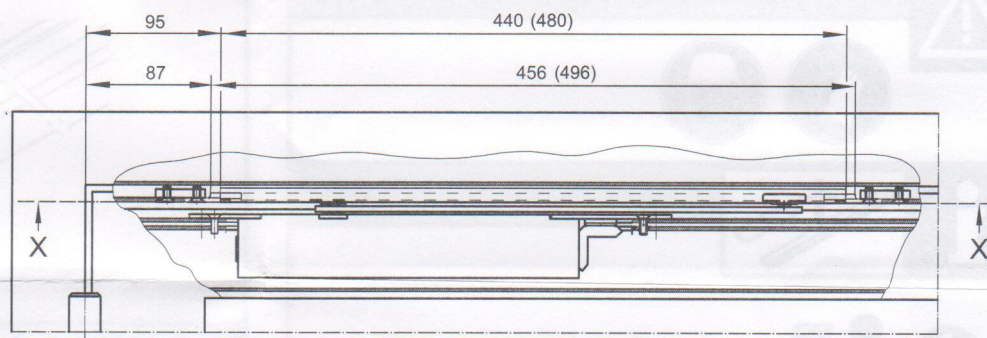
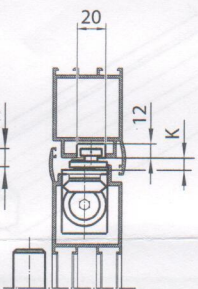
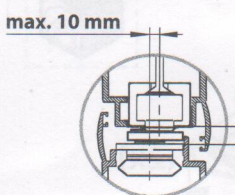
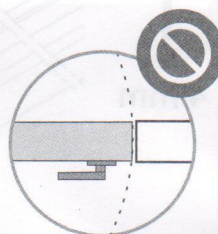
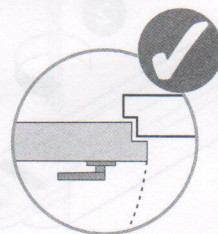
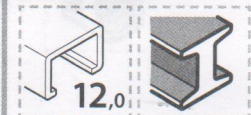




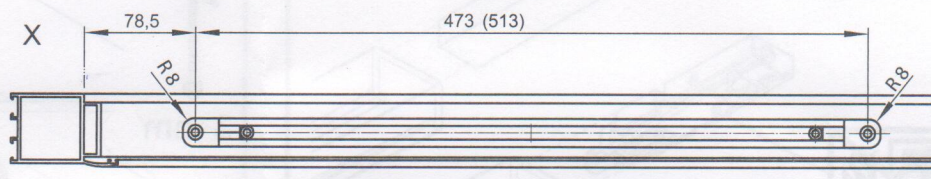
K [mm]	Value
0	8,5
+4	12,5
+8	16,5



() = Boxer EFS 4-6



K [mm]	Value
0	8,5
+4	12,5
+8	16,5



() = Boxer EFS 4-6