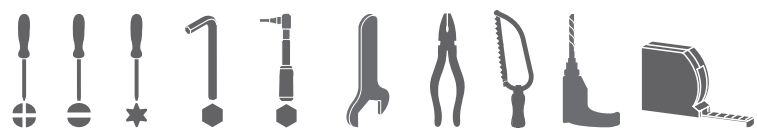


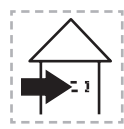
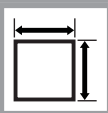
## Perlan 140



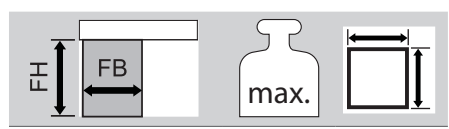
152946-01



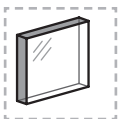
T20 2 mm 4 mm 13 mm  
 3 mm 5 mm  
 4 mm



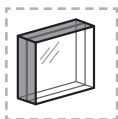
EN 1527  
 EN 1670



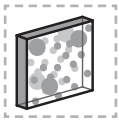
FH / FB ≤ 3      140 kg      [mm]



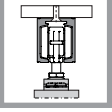

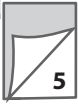
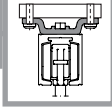


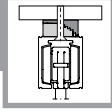


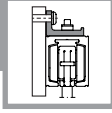


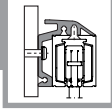


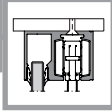


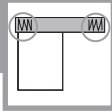


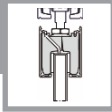


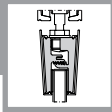


= **ESG**  
 EN 12150-1  
 TEMPERED



= **VSG/LSG**  
 EN ISO  
 12543-1

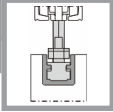


= **EN 572-2**  
**EN 572-5**

<b>i</b>			
<b>i+ A</b>			
<b>i+ B</b>			
<b>i+ C</b>			
<b>i+ D</b>			
<b>i+ E</b>			
<b>i+ F</b>			
<b>i+ G</b>			
<b>i+ H</b>			

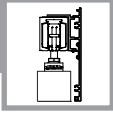
**i+**

**I**



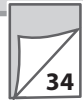
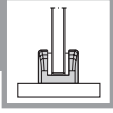
**i+**

**J**



**i+**

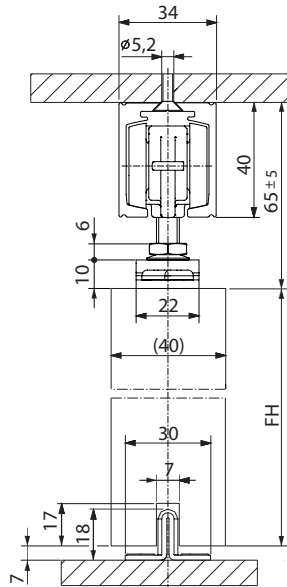
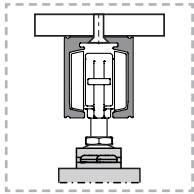
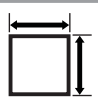
**K**



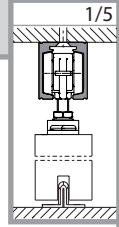
**L**



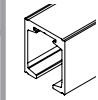
**i**



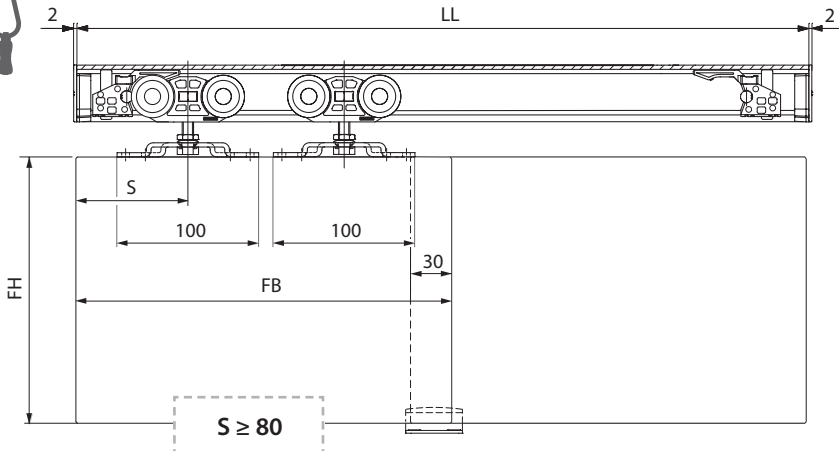
1/5

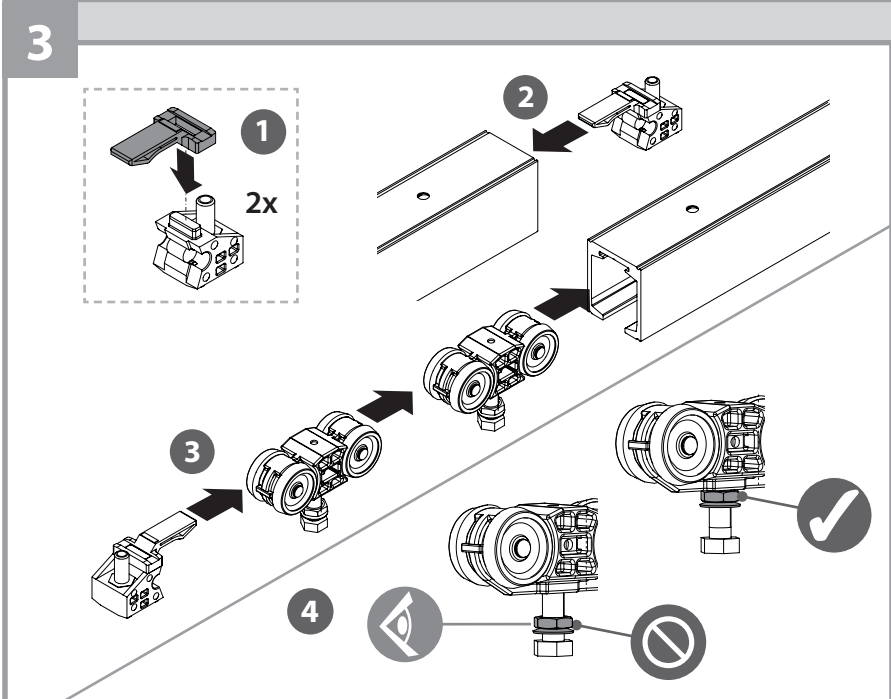
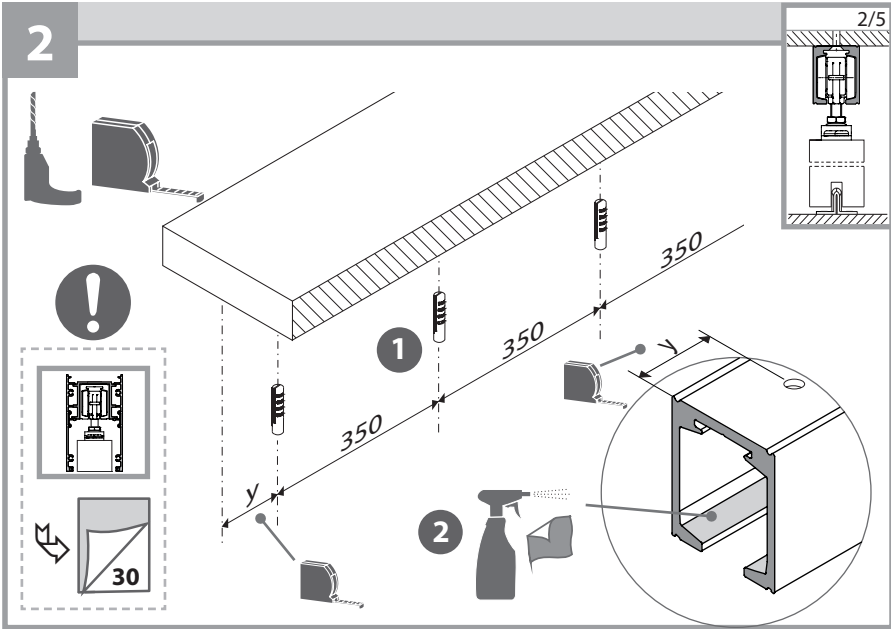


**1**

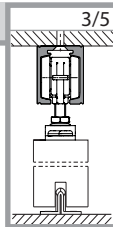
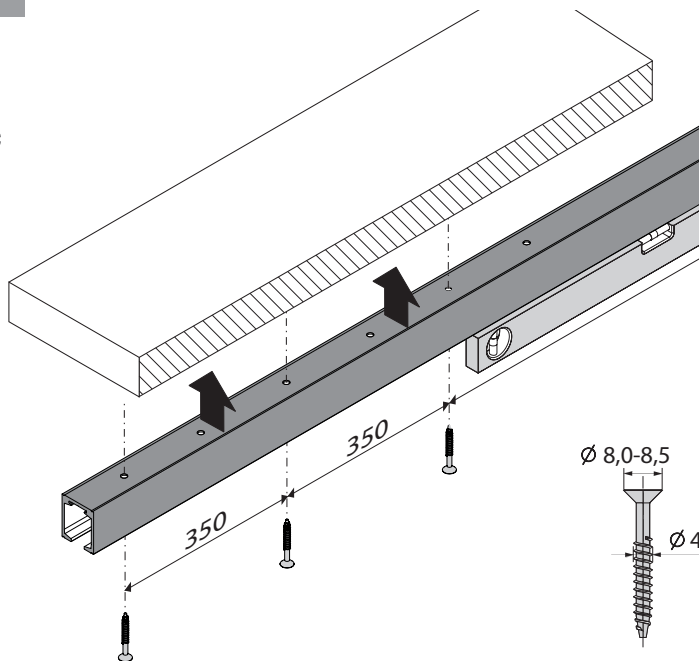


**LL = 2 \* FB - 30**

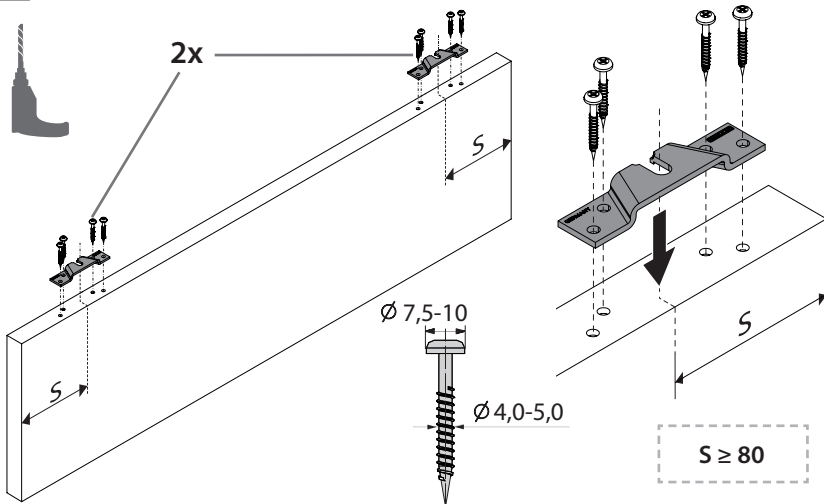




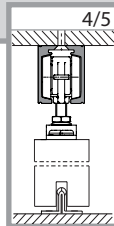
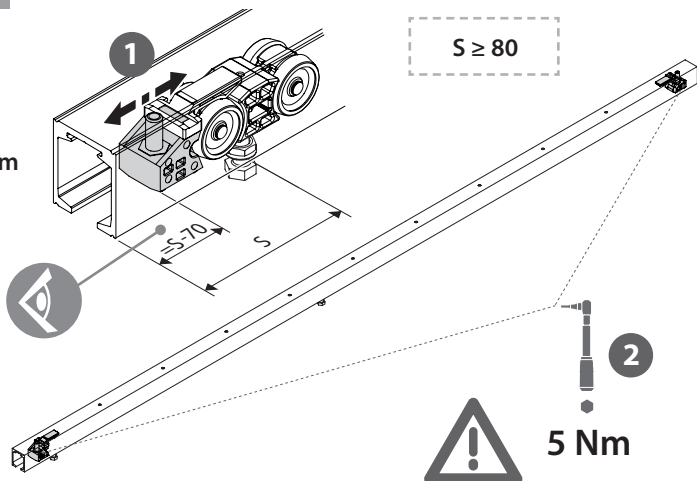
4



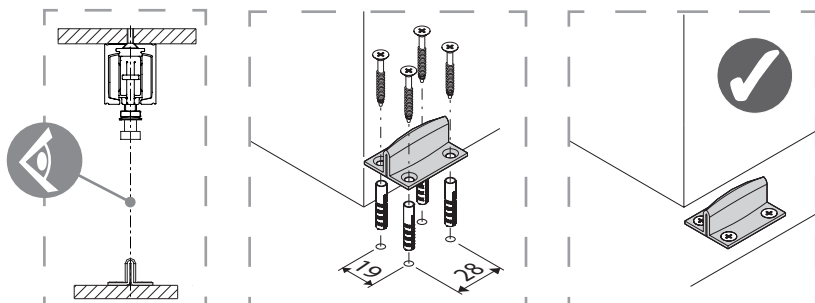
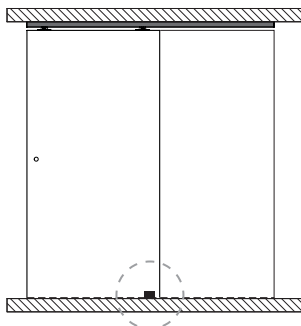
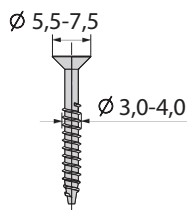
5



6



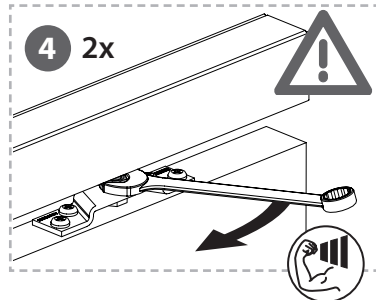
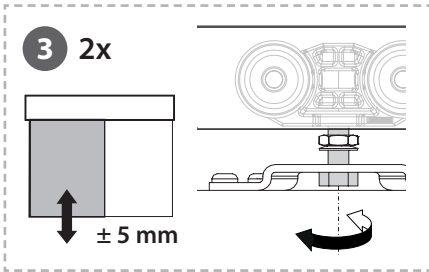
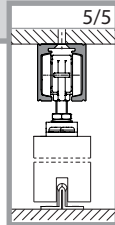
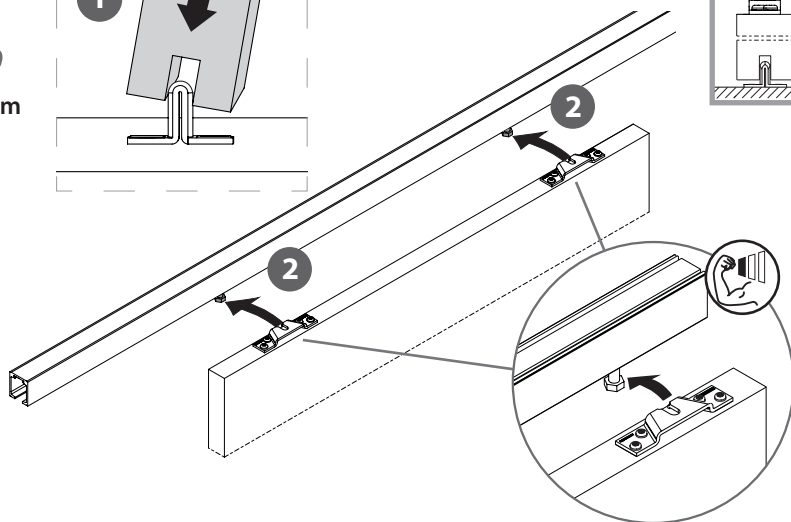
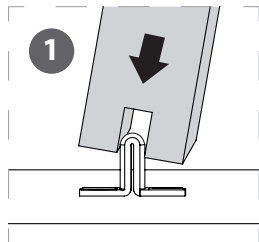
7



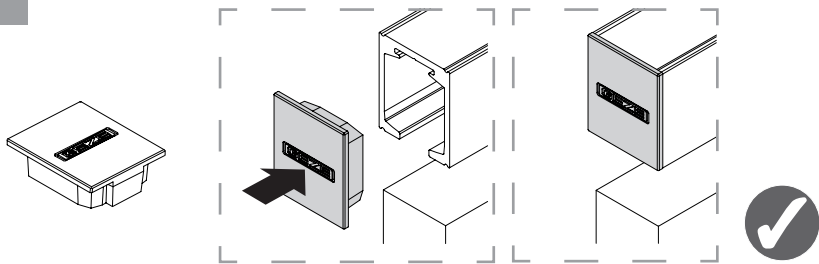


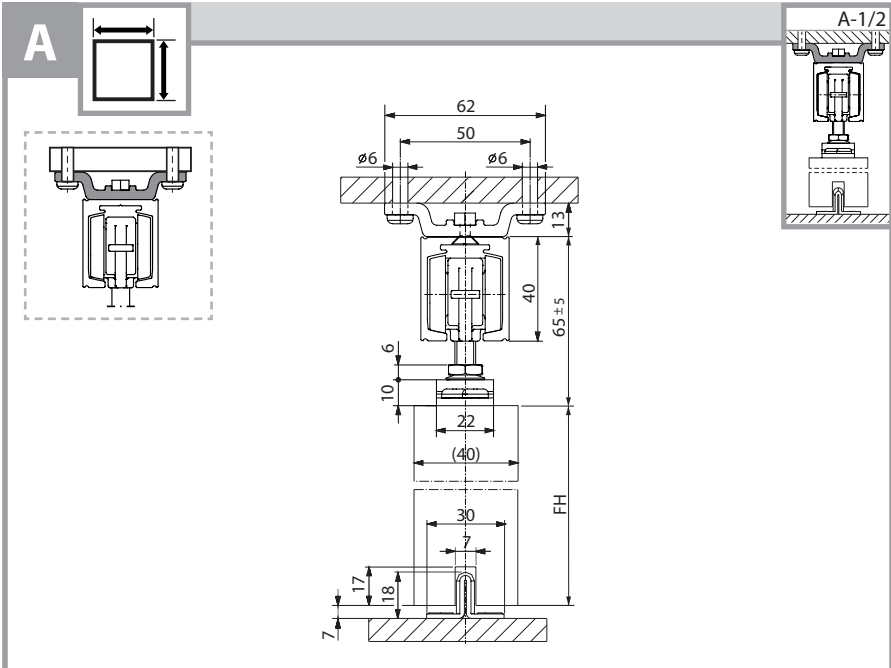
8

5/5

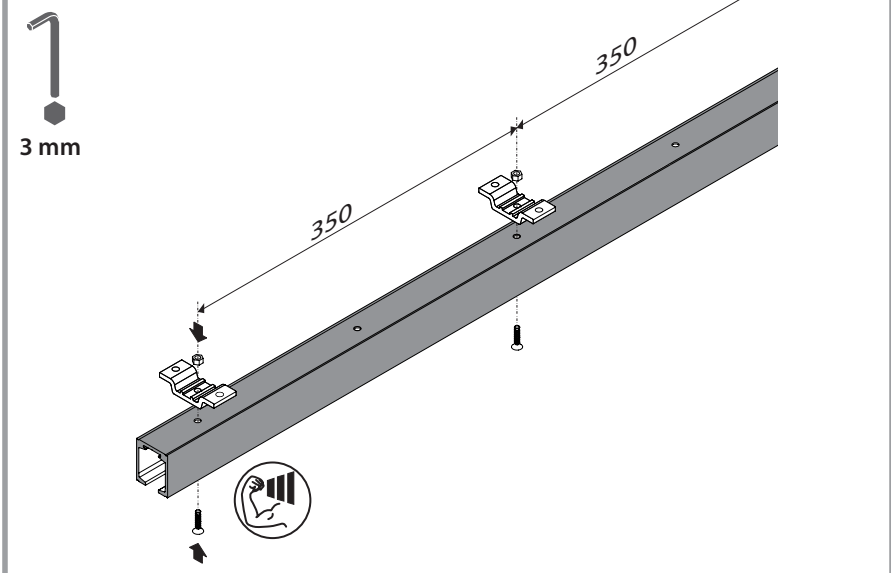


9

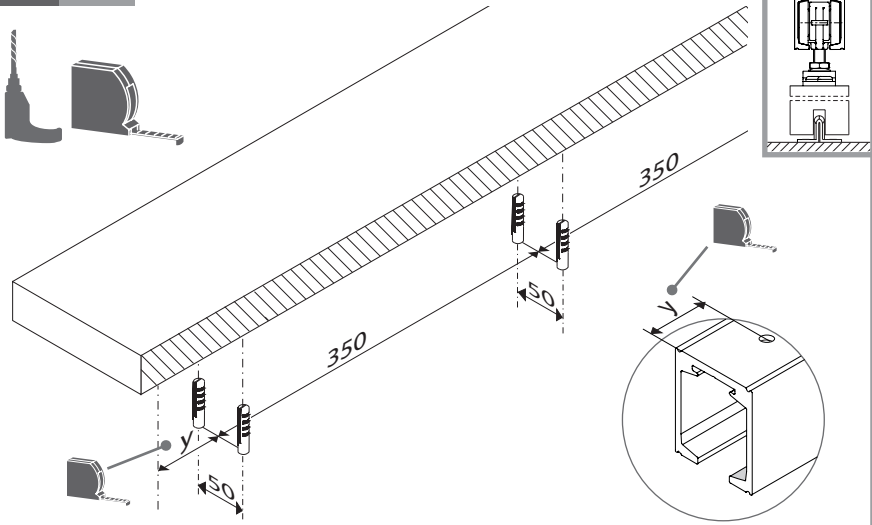




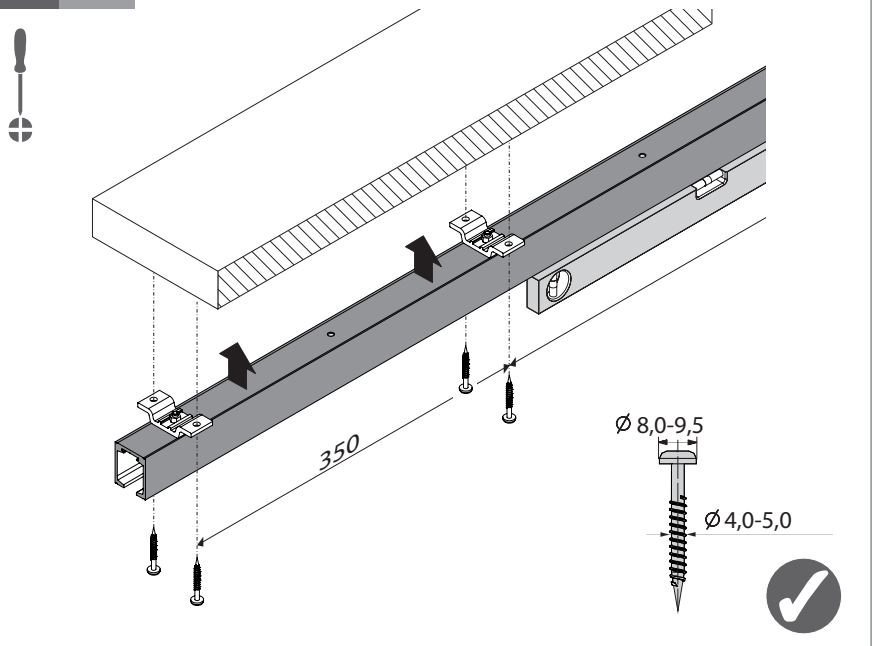
**i+ 1**

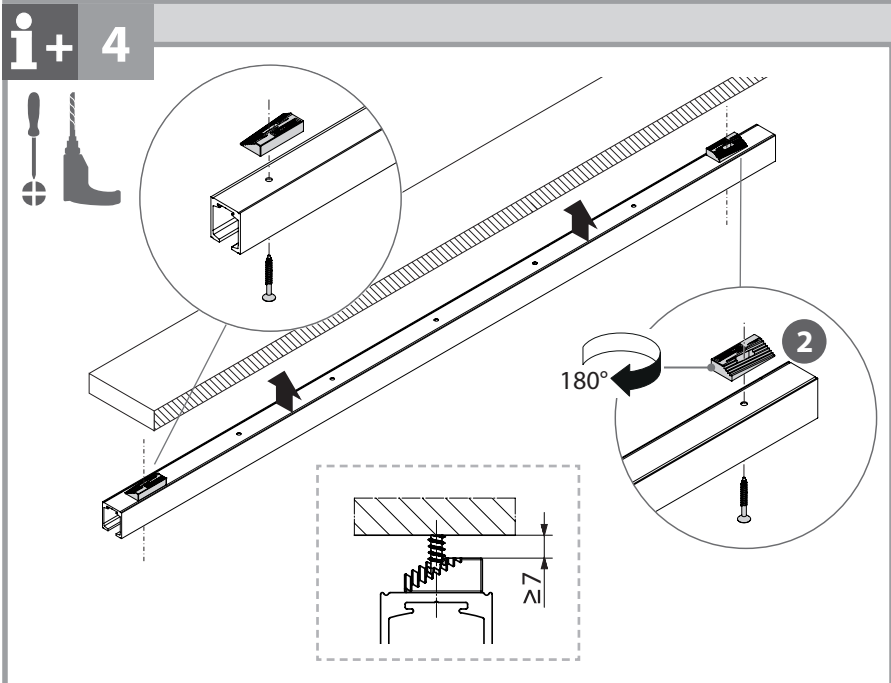
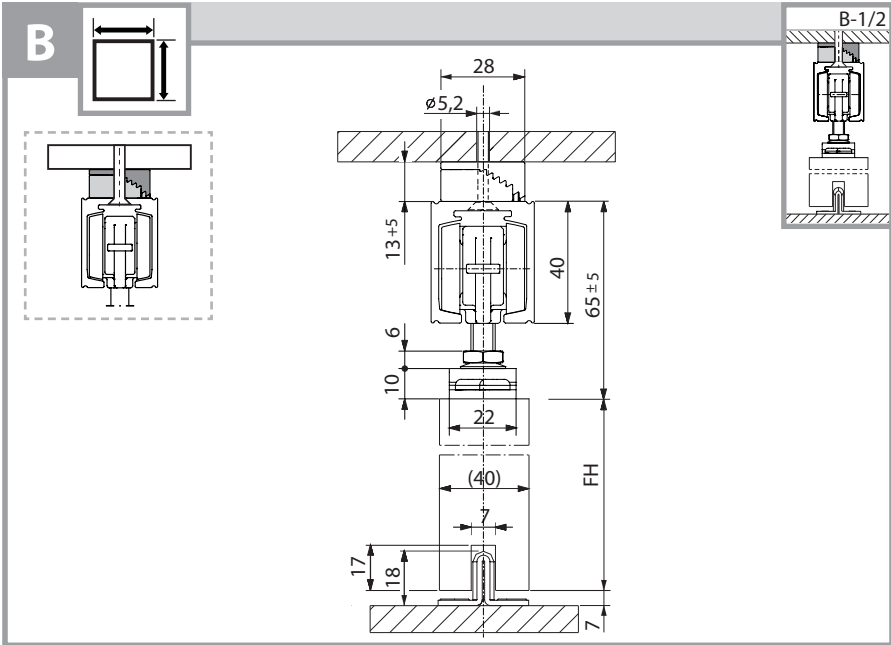


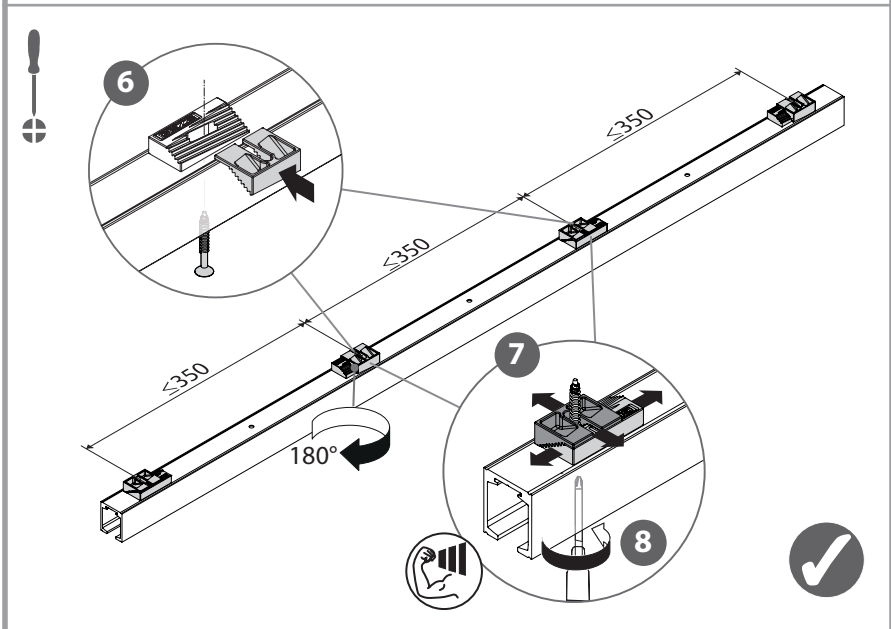
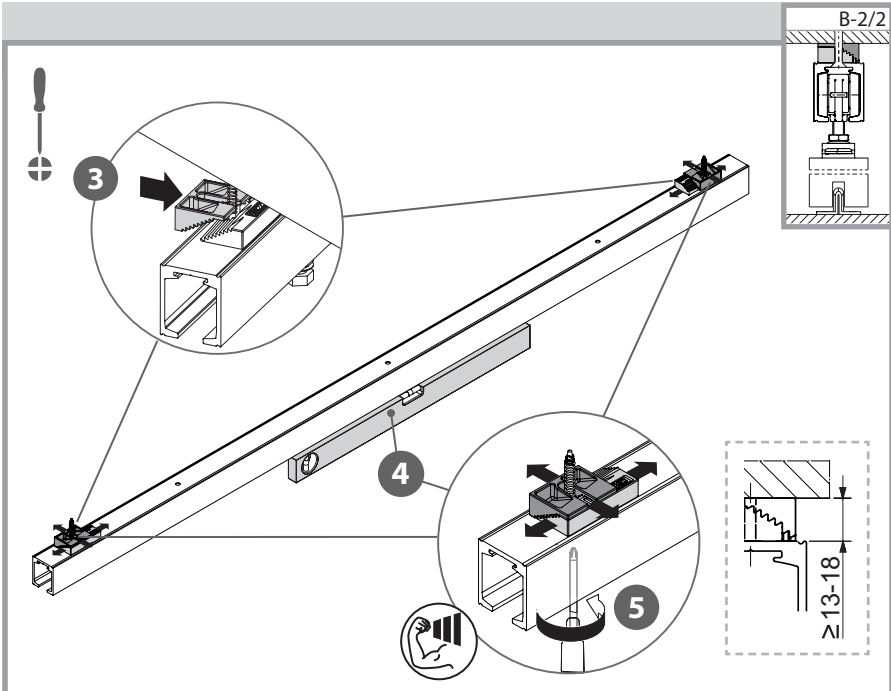
**i+ 2**

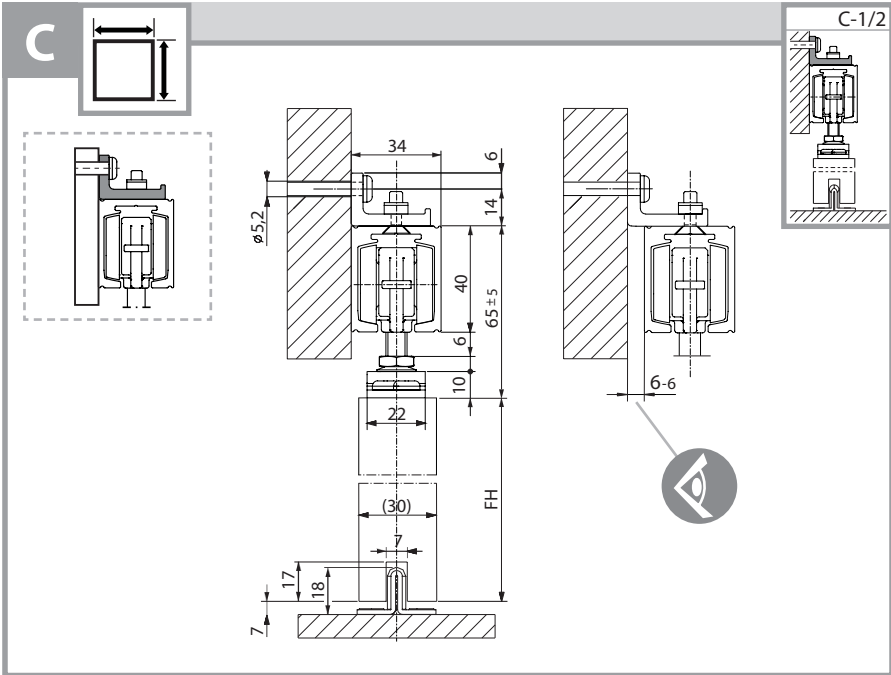


**i+ 4**

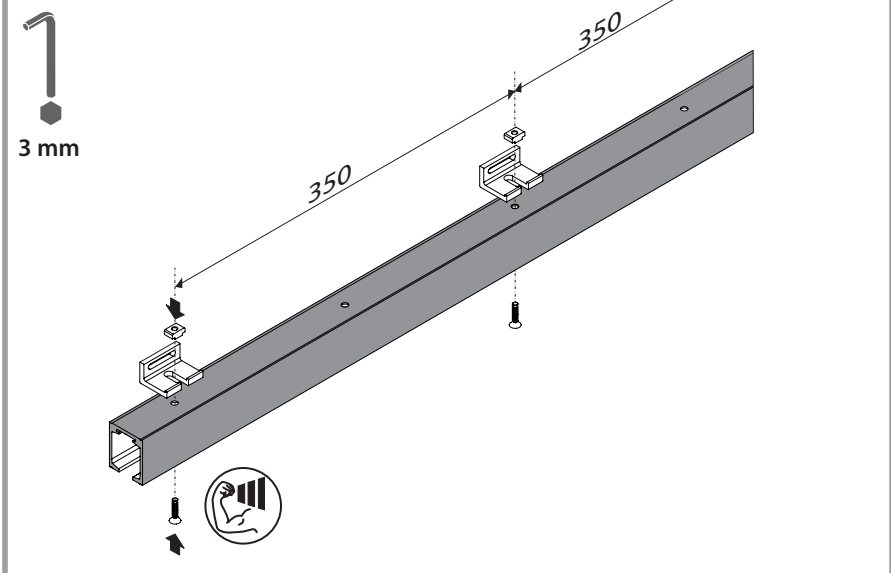




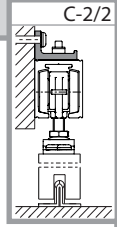
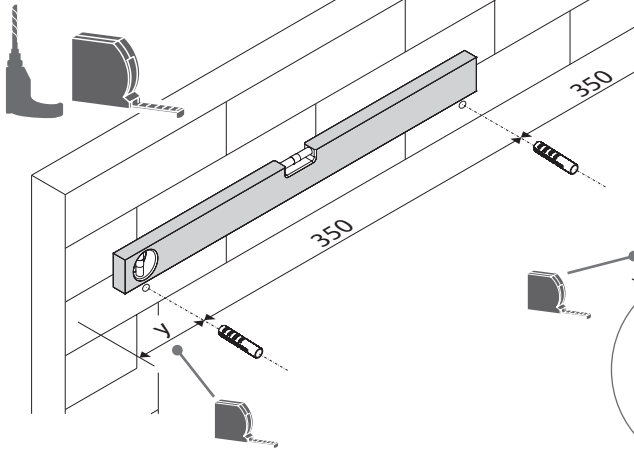




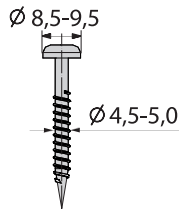
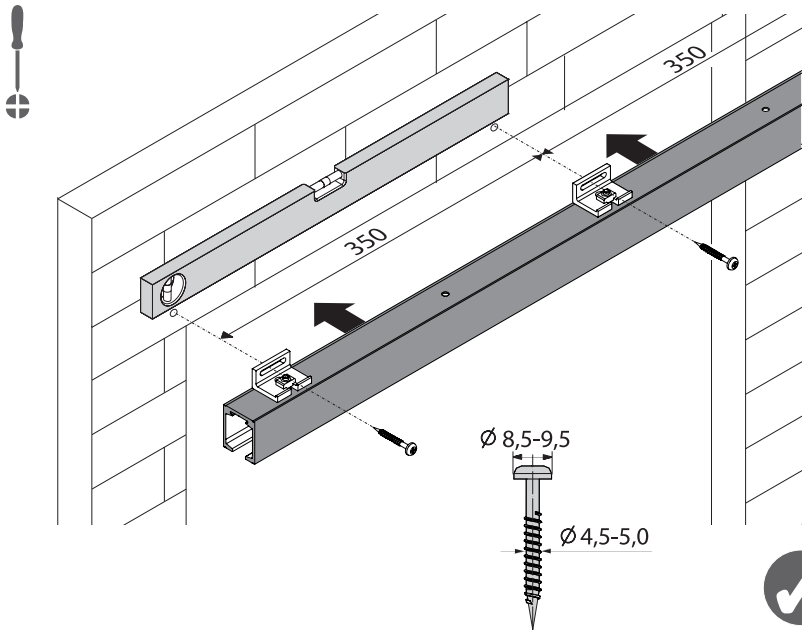
**i+ 1**

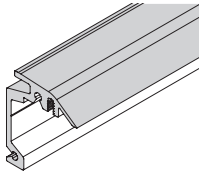
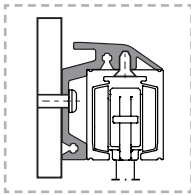
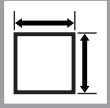
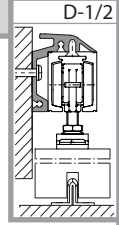
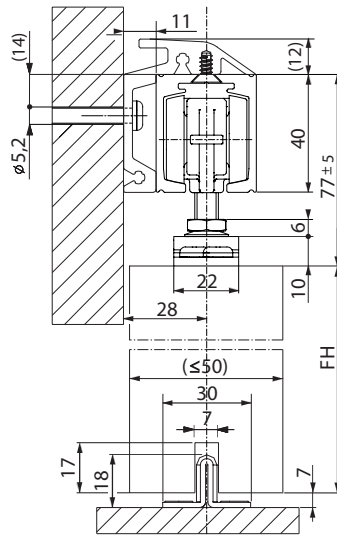
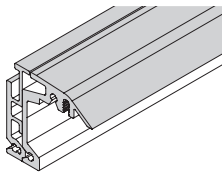
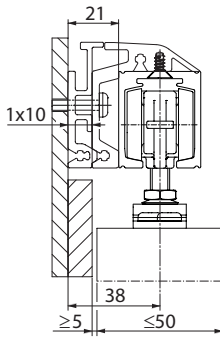
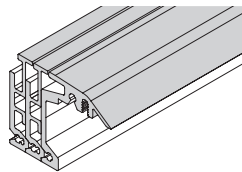
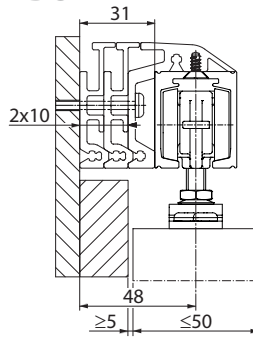
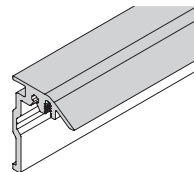
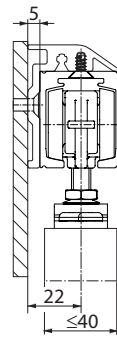


**i+ 2**



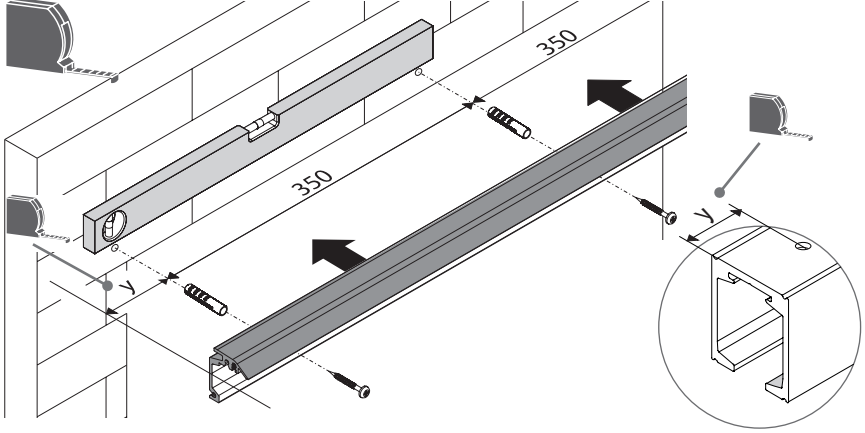
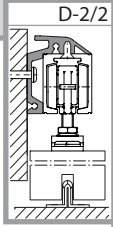
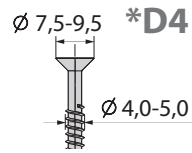
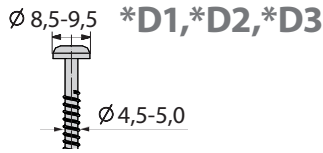
**i+ 4**



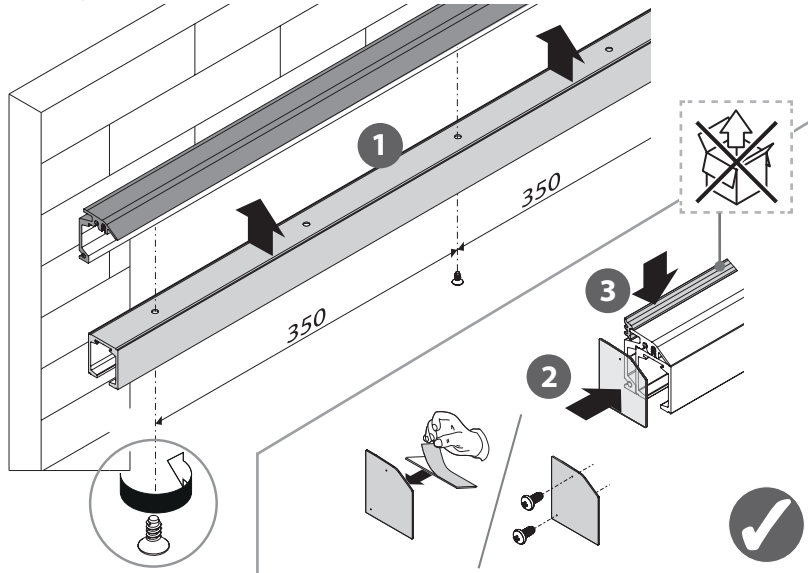
**D****D-1/2****\*D1****\*D2****\*D3****\*D4**

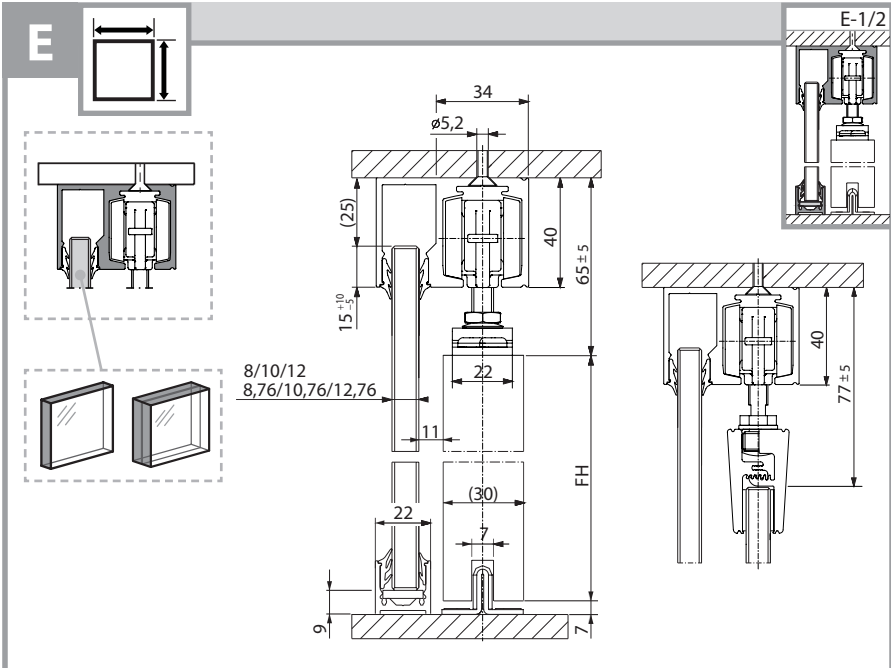


**i+ 2**

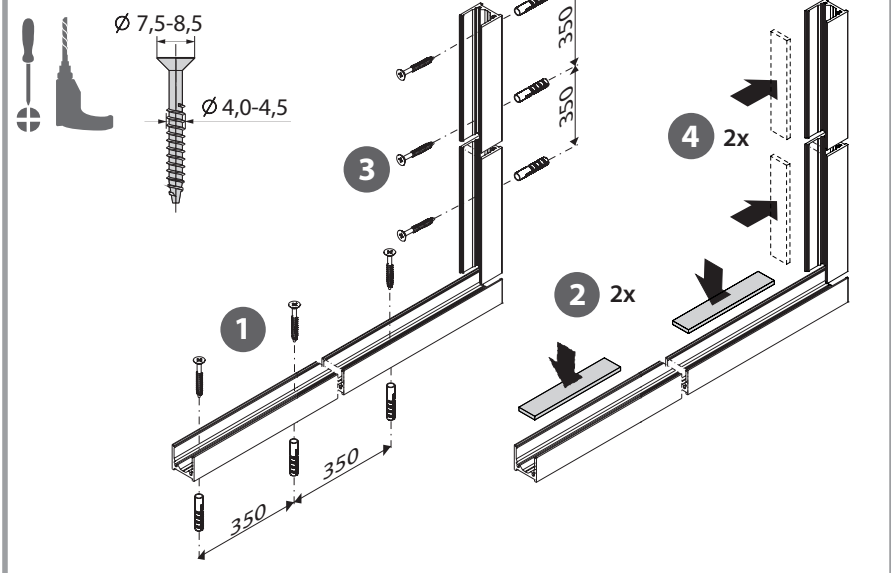


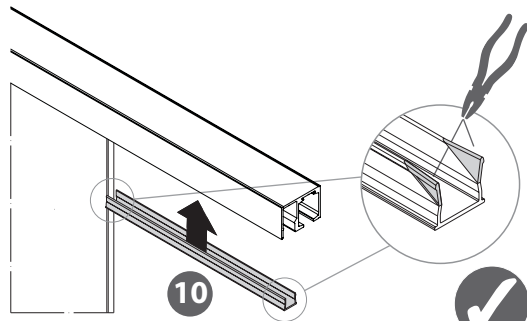
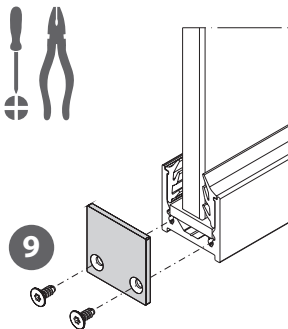
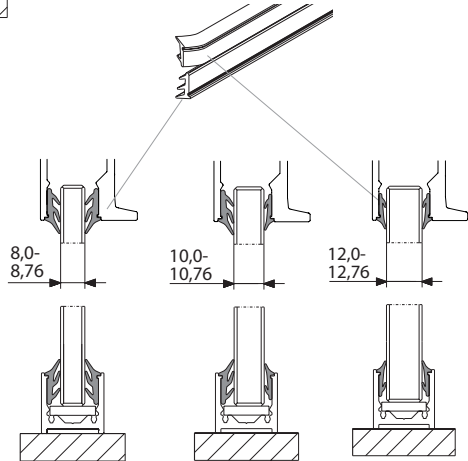
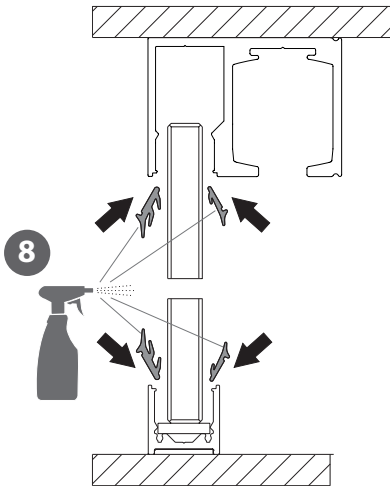
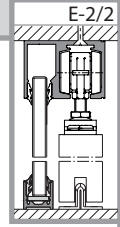
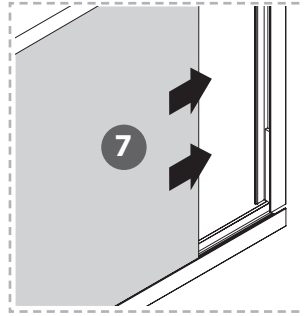
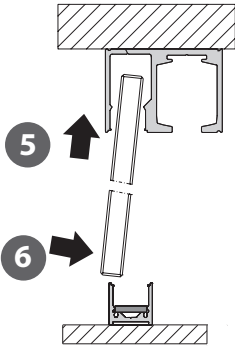
**i+ 4 9**

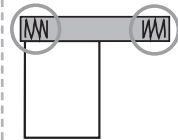
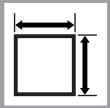




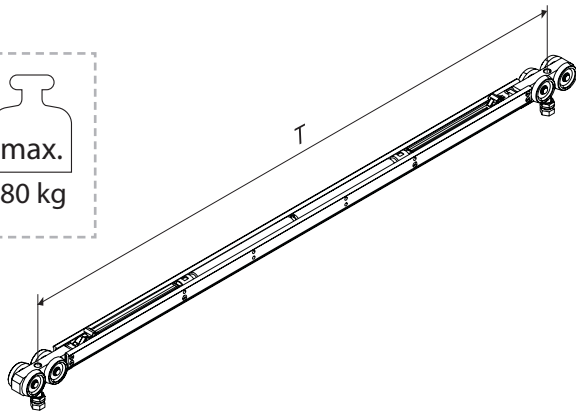
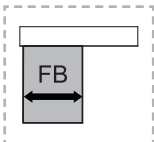
**i + 11**

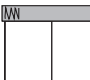
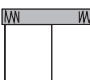


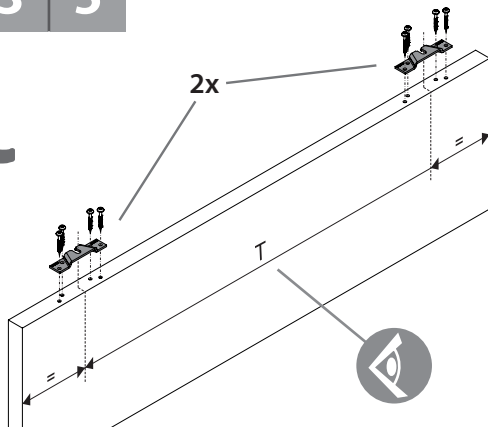


**F**

max.  
80 kg

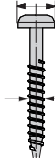


Perlan SoftStop	T	FB				
		F	G	I1	H2	I2
 <b>S1</b>	414	574-900	574-900		614-940	634-960
	<b>M1</b>	740	900-1290	900-1290		940-1330
 <b>Duo</b>	624	784-1290	784-1290		824-1330	844-1350
	<b>L2</b>	1130	1290-1700	1290-1700		1330-1700

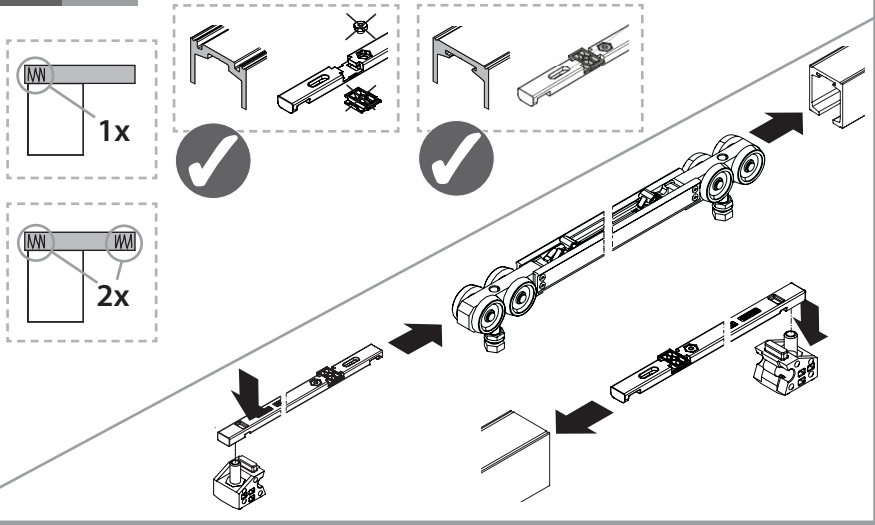
**i+****3****5**

Ø 7,5-10

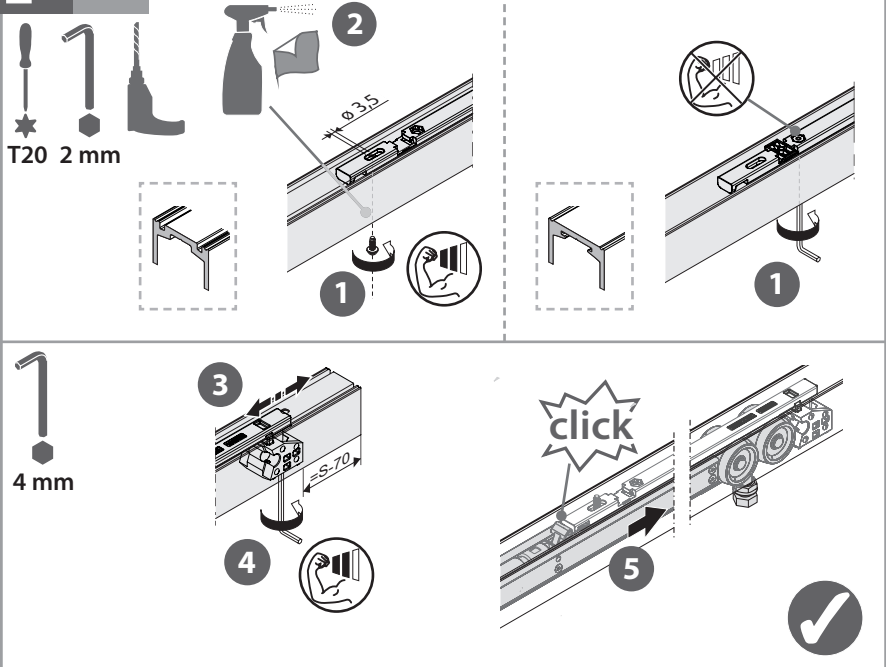
Ø 4,0-5,0



# i+ 3



# i+ 6



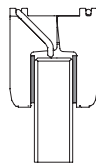
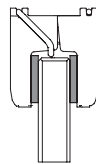
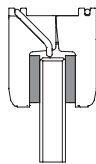
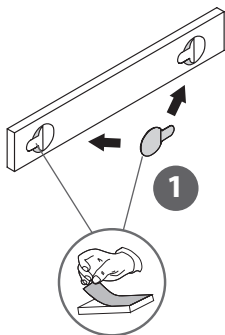
# G i+ 5



**ESG**  
EN 12150-1  
TEMPERED



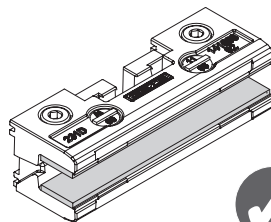
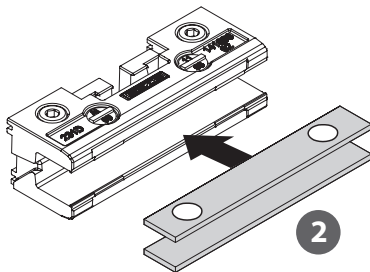
max. 80 kg



2x3 mm  
ESG 8

2x2 mm  
ESG 10

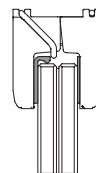
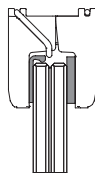
2x1 mm  
ESG 12




**VSG/LSG**  
EN ISO  
12543-1

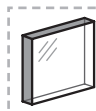


**ID 133034**

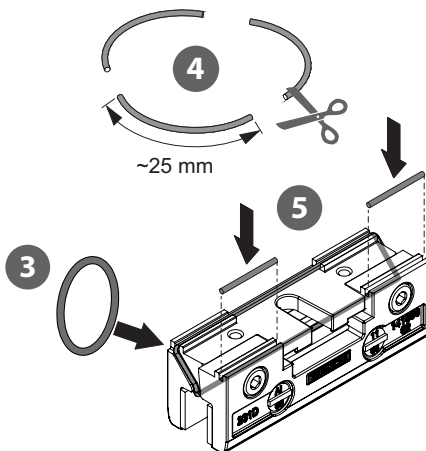
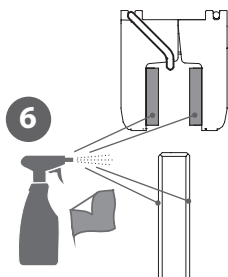


1x   
1x 3 mm  
VSG 8,76

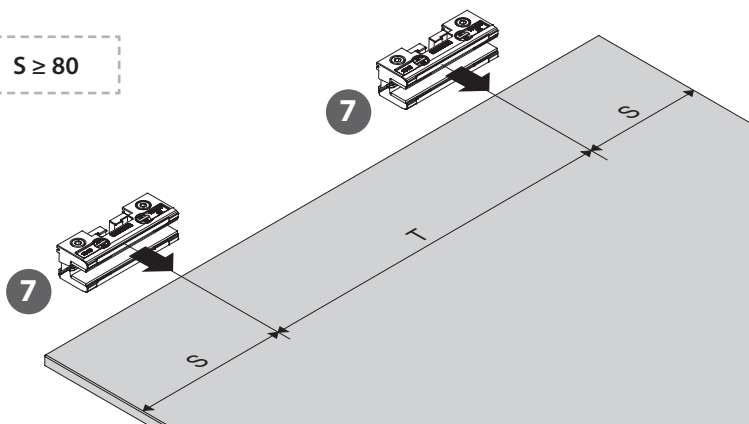
1x   
1x 2 mm  
VSG 10,76



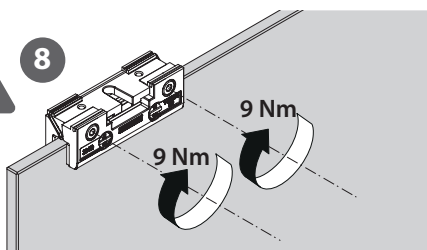
**ESG**  
EN 12150-1  
TEMPERED



$S \geq 80$



8

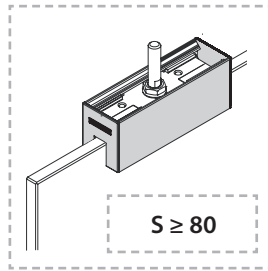
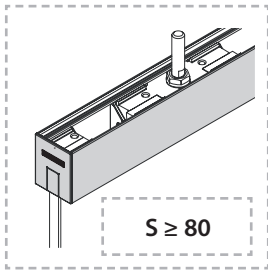


T =

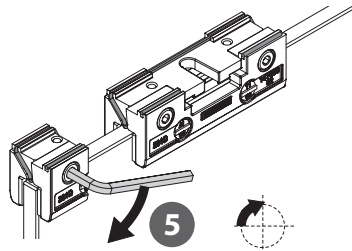
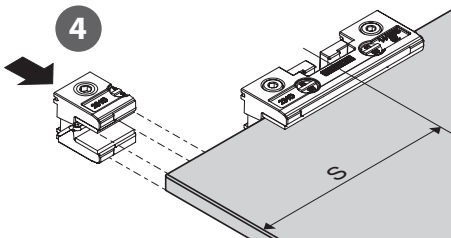
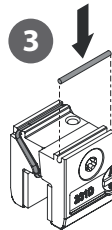
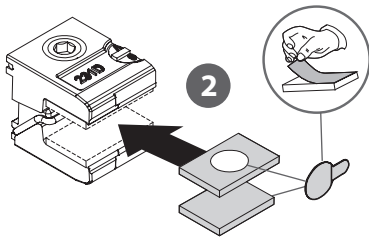
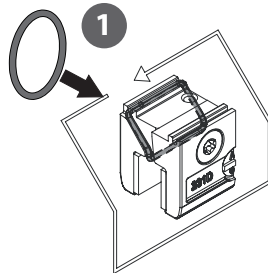
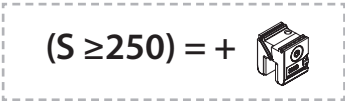


20

**i+**

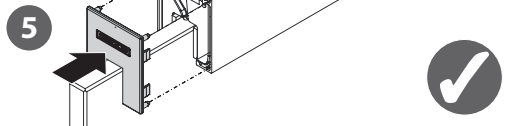
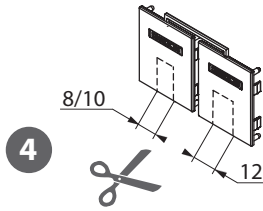
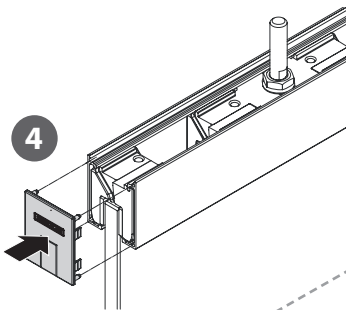
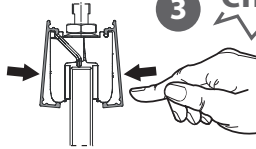
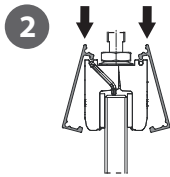
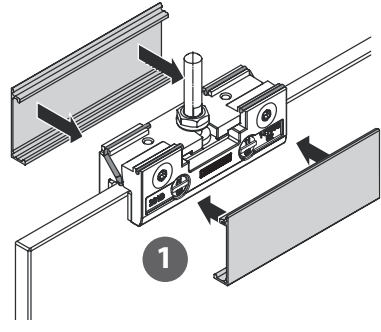
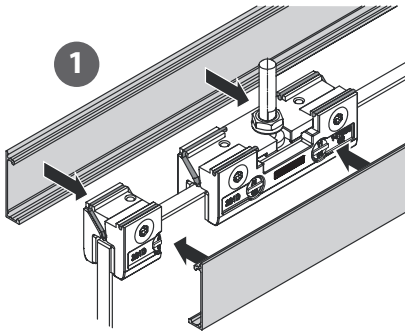


**i+ 5**

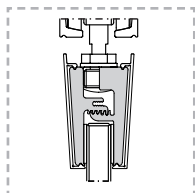




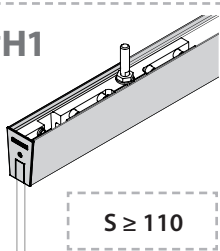
**i+ 8**



# H i+

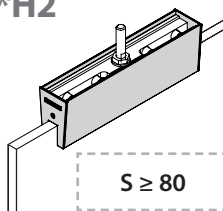


\*H1



$S \geq 110$

\*H2

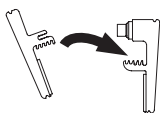


$S \geq 80$

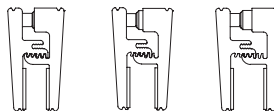
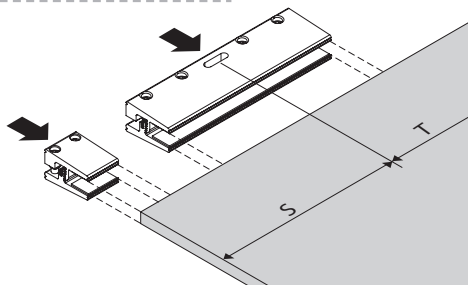
# i+ 2



**ESG**  
EN 12150-1  
TEMPERED



\*H1 = +



ESG 8

ESG 10

ESG 12

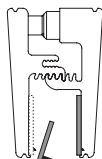
T =



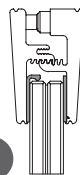
**VSG/LSG**  
EN ISO  
12543-1




ID 133034

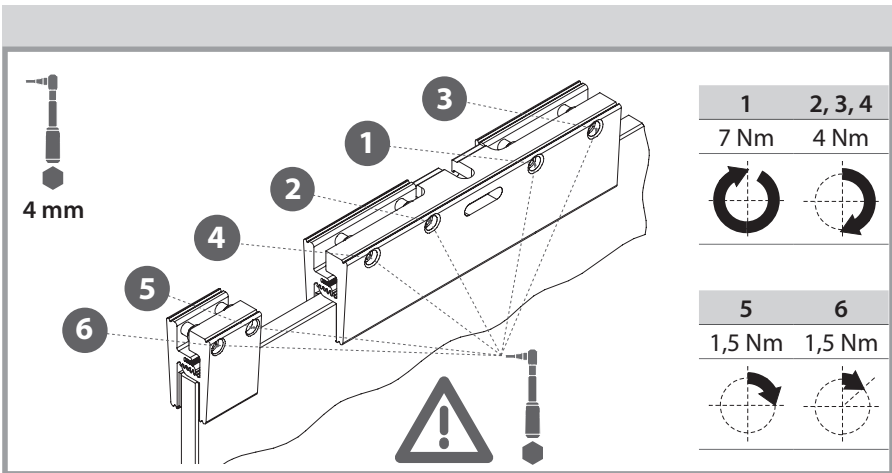


1

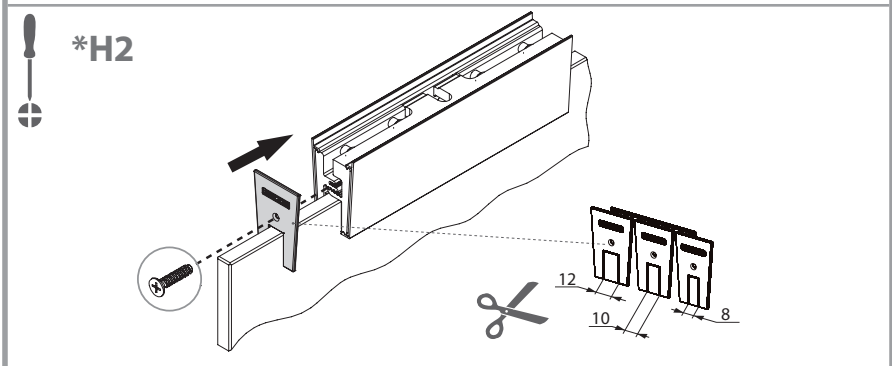
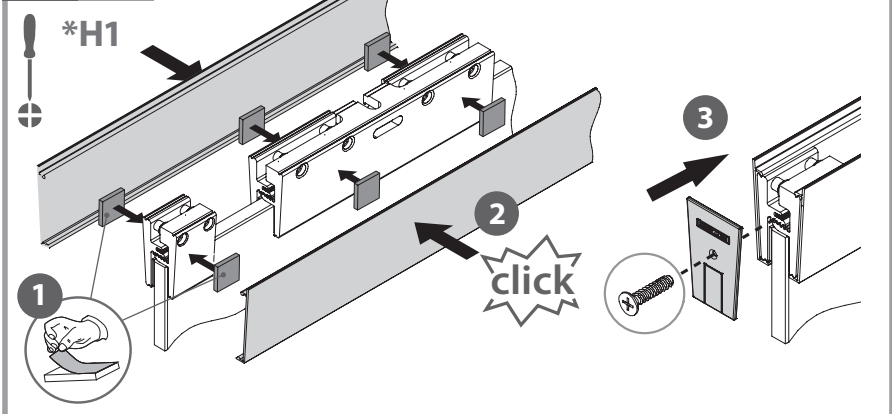


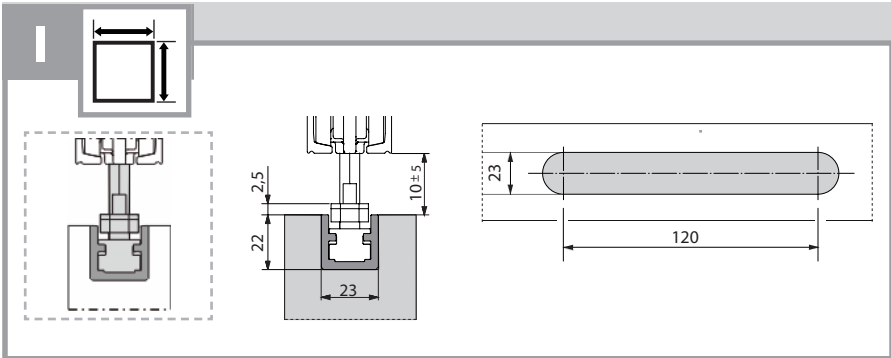
2

1x  / 1x 1 mm  
VSG 8,76/10,76/  
12,76



**i+ 8**

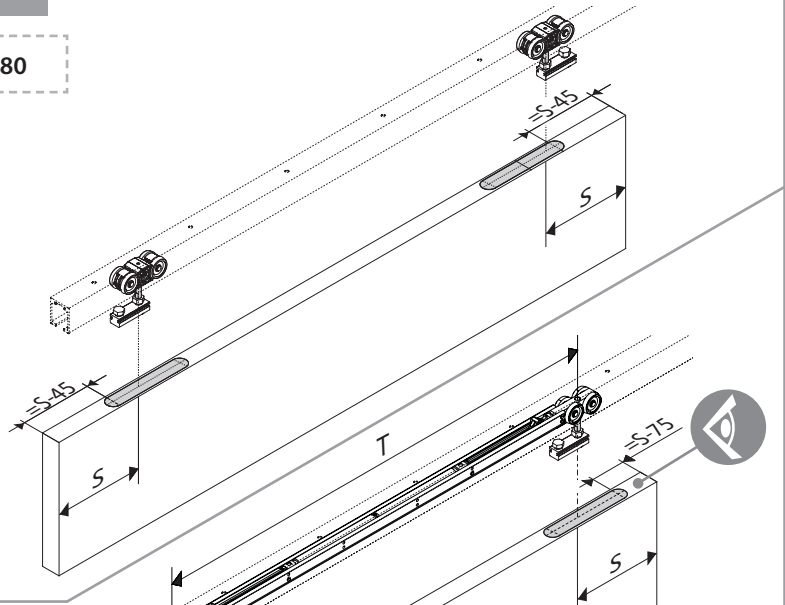




**i+ 2**

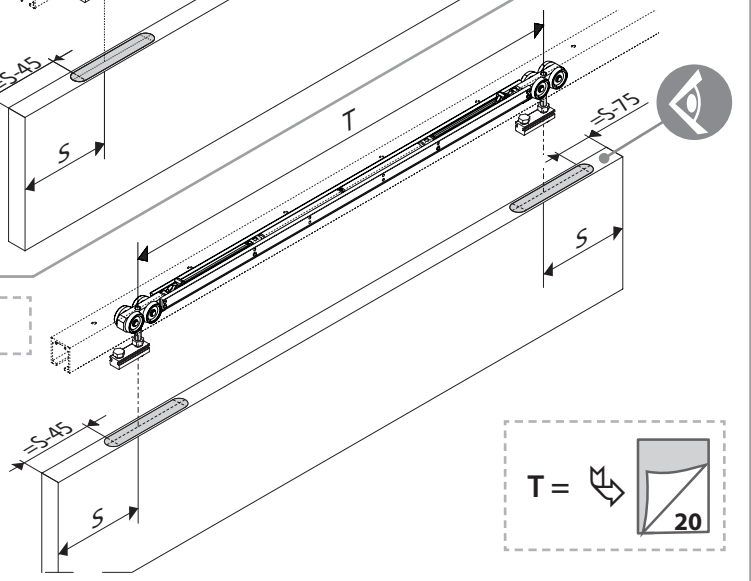
$S \geq 80$

**\*I1**

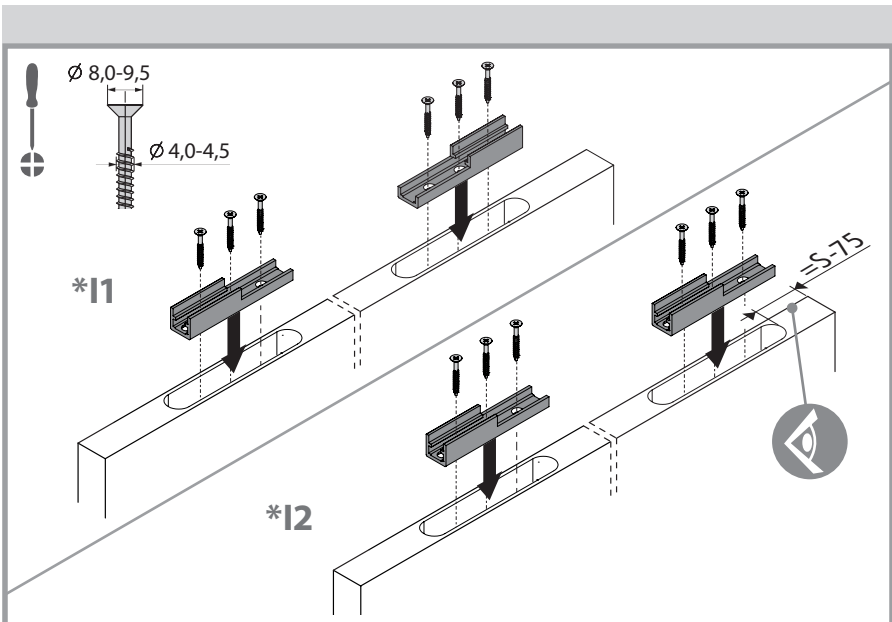


$S \geq 100$

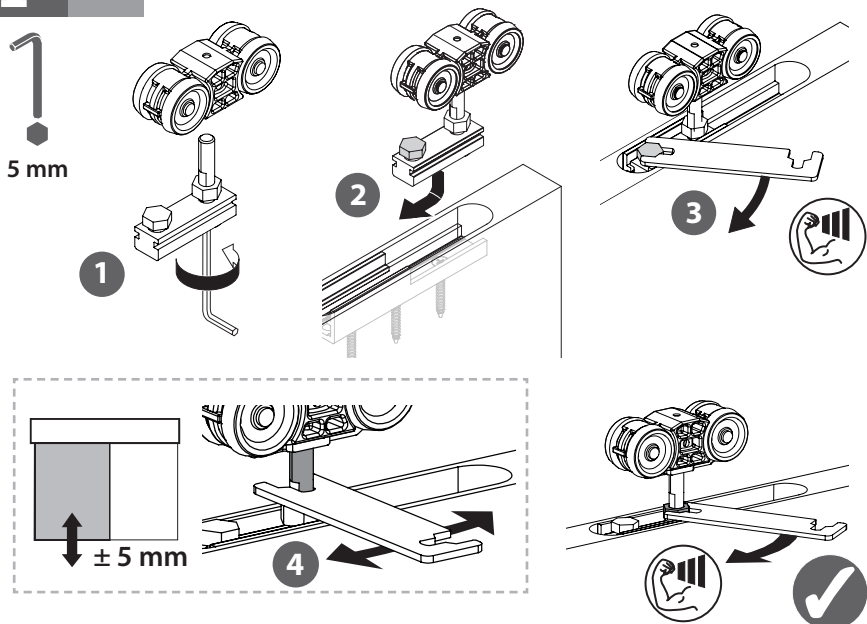
**\*I2**

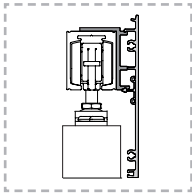
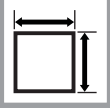
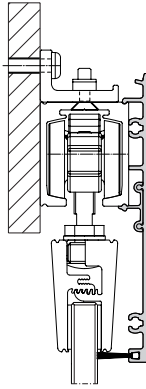
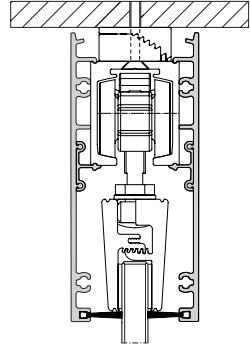
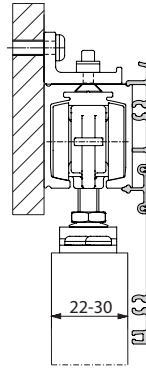
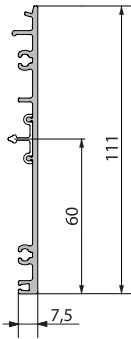
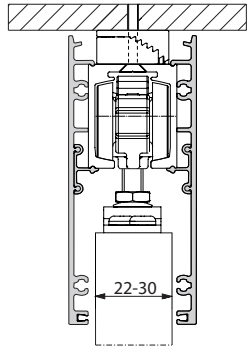
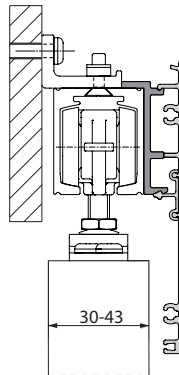
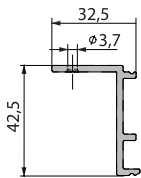
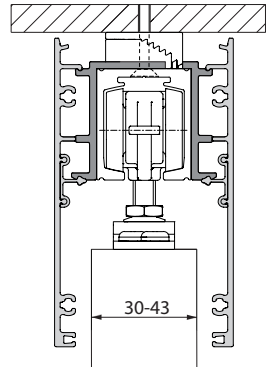


$T =$  **20**



**i+ 7**

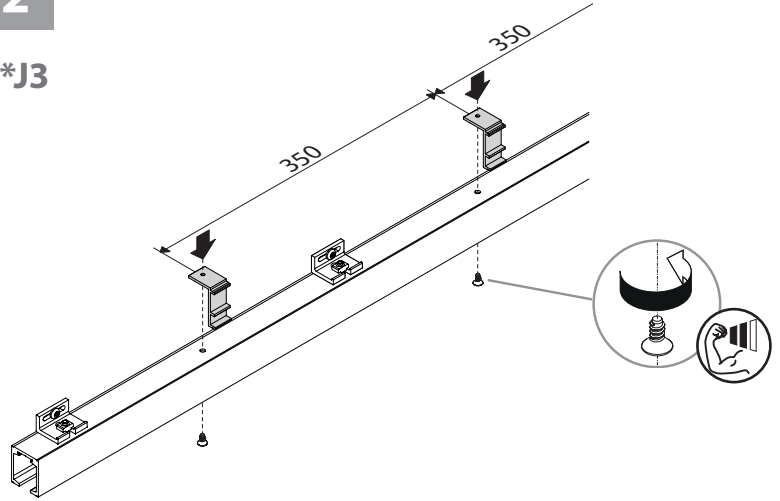


**J****\*J1****\*J4****\*J2****\*J5****\*J3****\*J6**

# i+ 2

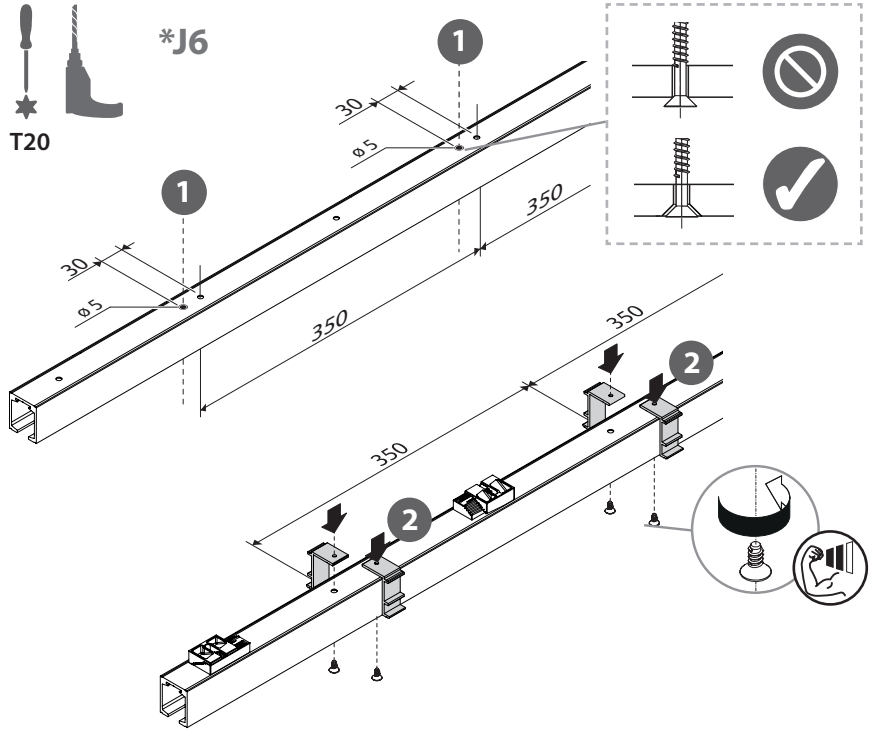
!  
★  
T20

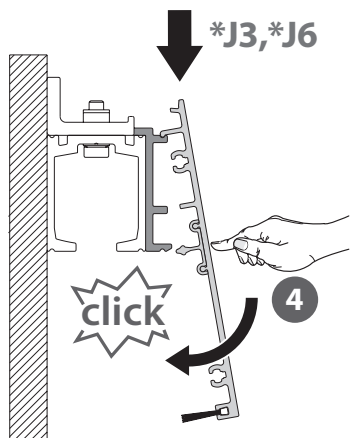
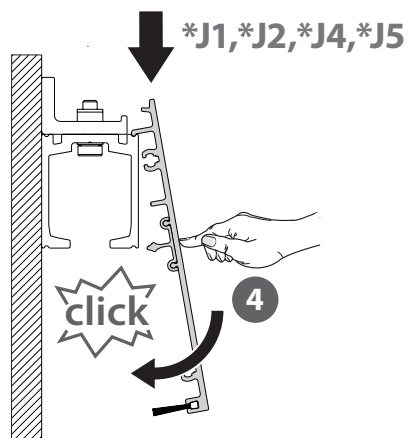
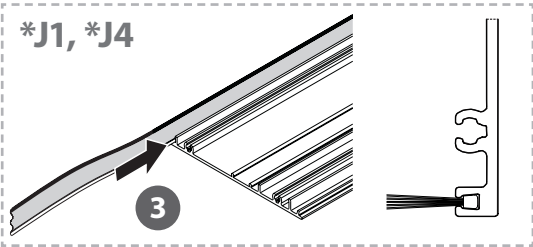
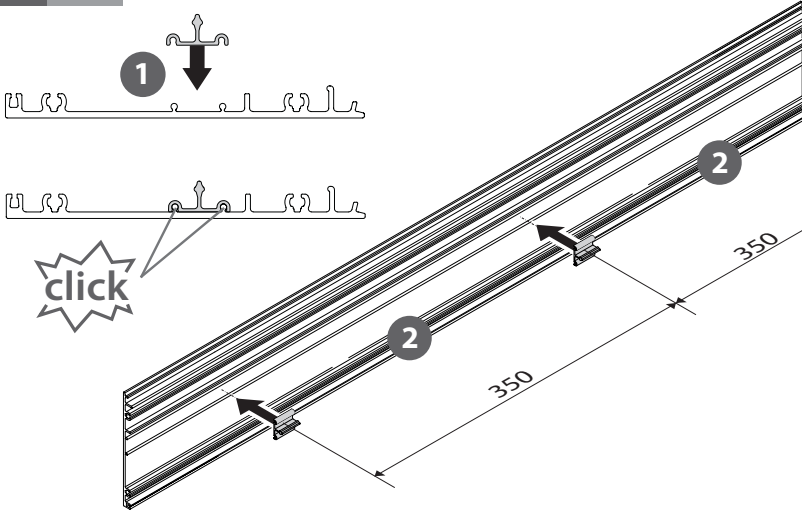
\*J3



!  
★  
T20

\*J6



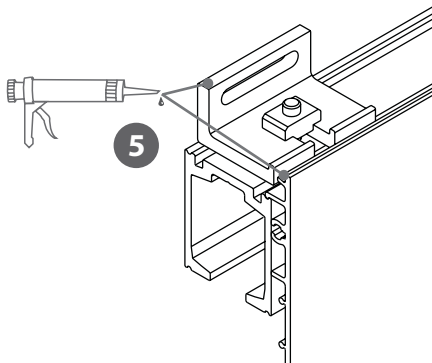
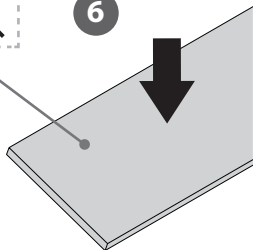




!  
★  
T20

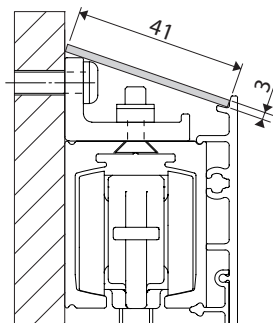


6

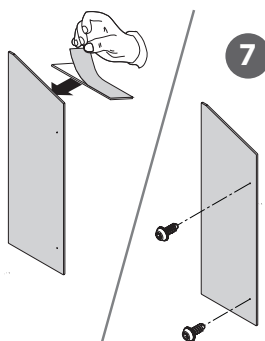
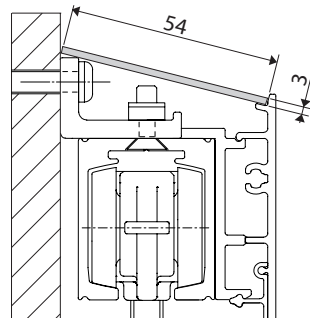


5

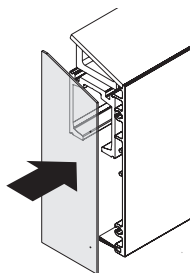
\*J1,\*J2



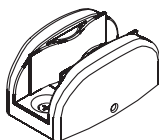
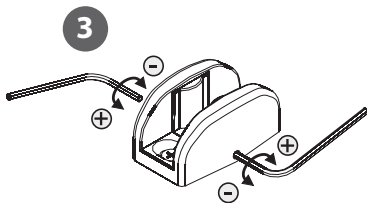
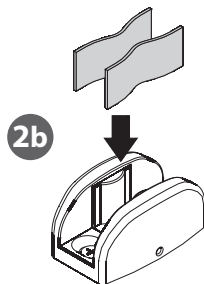
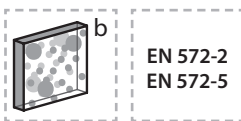
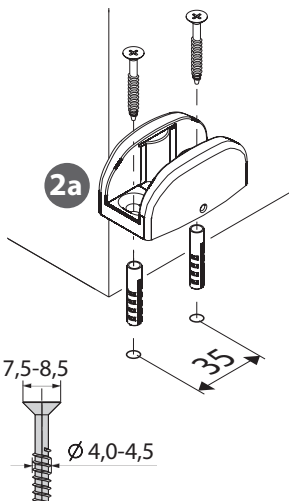
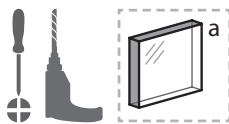
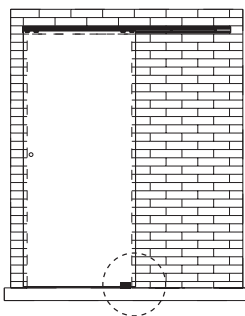
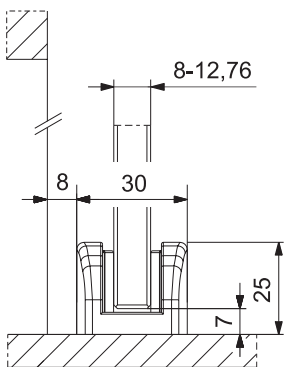
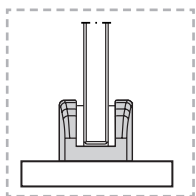
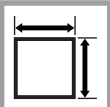
\*J3



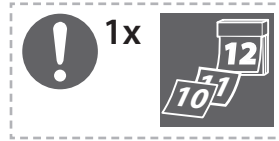
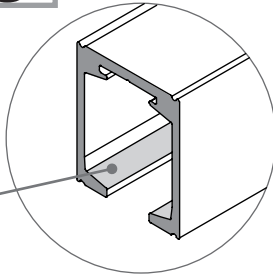
7



K



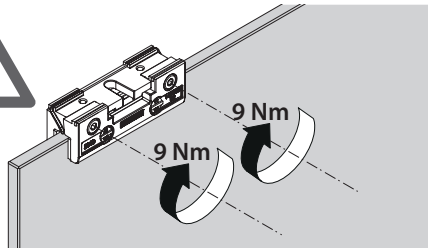
L



i+ G



5 mm



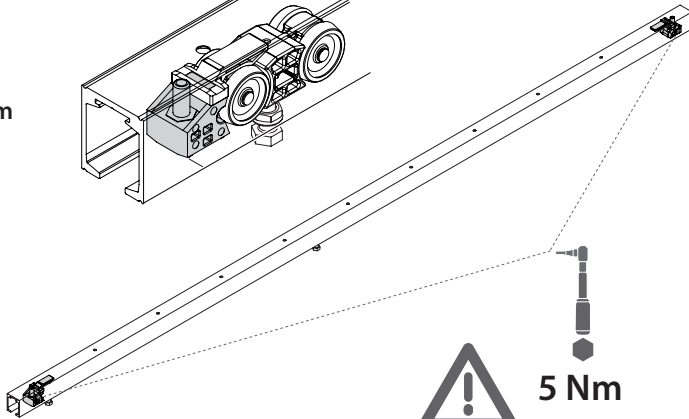
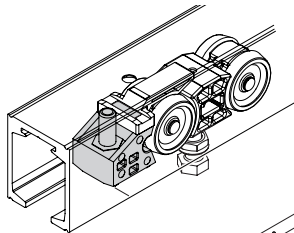
9 Nm

9 Nm

i+ I



4 mm



5 Nm

## Germany

GEZE Sonderkonstruktionen GmbH

Planken 1

97944 Boxberg-Schweigern

Tel. +49 (0) 7930-9294-0

Fax +49 (0) 7930-9294-10

E-Mail: sk.de@geze.com

GEZE GmbH

Niederlassung Süd-West

Tel. +49 (0) 7152-203-594

E-Mail: leonberg.de@geze.com

GEZE GmbH

Niederlassung Süd-Ost

Tel. +49 (0) 89-120 07 42-50

E-Mail: garching.de@geze.com

GEZE GmbH

Niederlassung Ost

Tel. +49 (0) 30-47 89 90-0

E-Mail: berlin.de@geze.com

GEZE GmbH

Niederlassung Mitte/Luxemburg

Tel. +49 (0) 6171-63610-0

E-Mail: frankfurt.de@geze.com

GEZE GmbH

Niederlassung West

Tel. +49 (0) 201-83082-0

E-Mail: essen.de@geze.com

GEZE GmbH

Niederlassung Nord

Tel. +49 (0) 40-2 19 07 16-13

E-Mail: hamburg.de@geze.com

GEZE Service GmbH

Tel. +49 (0) 18 02/92 33 92

E-Mail: service-info.de@geze.com

## Austria

GEZE Austria

E-Mail: austria.at@geze.com

www.geze.at

## Baltic States

GEZE GmbH Baltic States office

E-Mail: office-latvia@geze.com

www.geze.com

## Benelux

GEZE Benelux B.V.

E-Mail: benelux.nl@geze.com

www.geze.be

www.geze.nl

## Bulgaria

GEZE Bulgaria - Trade

E-Mail: office-bulgaria@geze.com

www.geze.bg

## China

GEZE Industries (Tianjin) Co., Ltd.

E-Mail: Sales-info@geze.com.cn

www.geze.com.cn

GEZE Industries (Tianjin) Co., Ltd.

Branch Office Shanghai

E-Mail: chinasales@geze.com.cn

www.geze.com.cn

GEZE Industries (Tianjin) Co., Ltd.

Branch Office Guangzhou

E-Mail: norge.se@geze.com.cn

www.geze.com.cn

GEZE Industries (Tianjin) Co., Ltd.

Branch Office Beijing

E-Mail: chinasales@geze.com.cn

www.geze.com.cn

## France

GEZE France S.A.R.L.

E-Mail: france.fr@geze.com

www.geze.fr

## Hungary

GEZE Hungary Kft.

E-Mail: office-hungary@geze.com

www.geze.hu

## Iberia

GEZE Iberia S.R.L.

E-Mail: info@geze.es

www.geze.es

## India

GEZE India Private Ltd.

E-Mail: office-india@geze.com

www.geze.in

## Italy

GEZE Italia S.r.l

E-Mail: italia.it@geze.com

www.geze.it

GEZE Engineering Roma S.r.l

E-Mail: roma@geze.biz

www.geze.it

## Poland

GEZE Polska Sp.z o.o.

E-Mail: geze.pl@geze.com

www.geze.pl

## Romania

GEZE Romania S.R.L.

E-Mail: office-romania@geze.com

www.geze.ro

## Russia

OOO GEZE RUS

E-Mail: office-russia@geze.com

www.geze.ru

## Scandinavia – Sweden

GEZE Scandinavia AB

E-Mail: sverige.se@geze.com

www.geze.se

## Scandinavia – Norway

GEZE Scandinavia AB avd. Norge

E-Mail: norge.se@geze.com

www.geze.no

## Scandinavia – Denmark

GEZE Danmark

E-Mail: danmark.se@geze.com

www.geze.dk

## Singapore

GEZE (Asia Pacific) Pte, Ltd.

E-Mail: gezesea@geze.com.sg

www.geze.com

## South Africa

GEZE Distributors (Pty) Ltd.

E-Mail: info@gezesa.co.za

www.geze.co.za

## Switzerland

GEZE Schweiz AG

E-Mail: schweiz.ch@geze.com

www.geze.ch

## Turkey

GEZE Kapı ve Pencere Sistemleri

E-Mail: office-turkey@geze.com

www.geze.com

## Ukraine

GEZE Ukraine TOV

E-Mail: office-ukraine@geze.com

www.geze.ua

## United Arab Emirates/GCC

GEZE Middle East

E-Mail: geze@emirates.net.ae

www.geze.ae

## United Kingdom

GEZE UK Ltd.

E-Mail: info.uk@geze.com

www.geze.com

## GEZE GmbH

Reinhold-Vöster-Straße 21–29

71229 Leonberg

Germany

Tel.: 0049 7152 203-0

Fax: 0049 7152 203-310

www.geze.com

